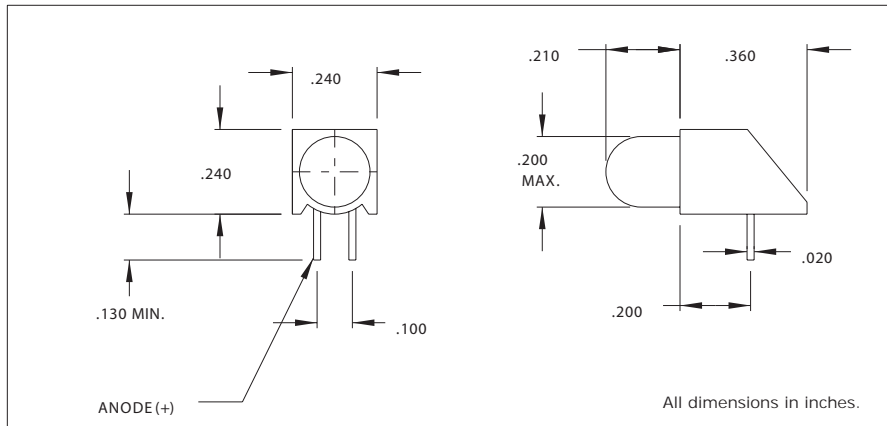




## 5300 Series T-1 3/4 Right Angle Flashing LED Assembly

### DESCRIPTION AND FEATURES



#### Features

- Built-in flashing circuit.
- No external resistor required.
- Block mounting height and spacing alignment saves assembly cost and time.
- Standoffs prevent flux entrapment.

Housing: White Thermoplastic, UL94V-0

Use of incorrect circuit polarity will cause permanent damage to these LEDs.

### ELECTRO-OPTICAL CHARACTERISTICS AND RATINGS

Part Number	Color	Typ. Intensity (mcd)	Package Type	Forward Voltage Min. (V)	Forward Voltage Typ. (V)	Forward Voltage Max. (V)	Forward Current (mA)	Reverse Break-down Voltage Min. (V)	Peak Wavelength (nm)	Supply Current (mA)	Flash Rate
5300H1FL	Red	80	Diffused	3.5	9-12	13.0	38-56	0.5	625	6-70	2.5-1.5
5300H5FL	Green	32	Diffused	3.5	9-12	13.0	38-56	0.5	565	6-70	2.5-1.5
5300H7FL	Yellow	32	Diffused	3.5	9-12	13.0	38-56	0.5	590	6-70	2.5-1.5