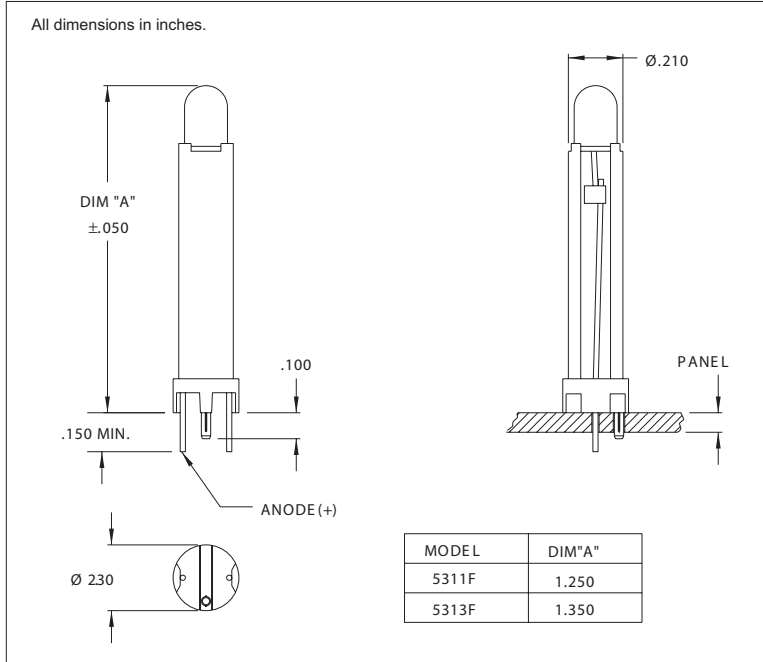




## 5311F Series Super Brite T-1 LED Circuit Board Indicator

### DESCRIPTION AND FEATURES



#### Features

- Block mounting, height and spacing alignment saves assembly cost and time.
- Standoffs prevent flux entrapment.
- Press-in mounting pin secures assembly to PC board while soldering.

Housing: Black Nylon, UL94V-0

Alternate LEDs are available in this package as standard variations.

Available options: Low current, 5 volt and 12 volt built-in resistors, bicolor and blue LEDs also offered. Call factory for ordering information.

Mounting hole pattern on page 1-X6.

### ELECTRO-OPTICAL CHARACTERISTICS AND RATINGS

Part Number	Color	Typ. Intensity (mcd)	Rated Current (mA)	Continuous Forward Current Max. (mA)	Forward Voltage Typ. (V)	Forward Voltage Max. (V)	Peak Forward Current @ 1 ms-300pps (A)	Peak Wavelength (nm)	Reverse Breakdown Voltage Min. (A)
5311F1	Red	10	10	30	2.0	3.0	1.0	650	5
5311F5	Green	16	10	30	2.2	3.0	.09	562	5
5311F7	Yellow	6.3	10	30	2.1	3.0	1.0	585	5
5313F1	Red	10	10	30	2.0	3.0	1.0	650	5
5313F5	Green	16	10	30	2.2	3.0	.09	562	5
5313F7	Yellow	6.3	10	30	2.1	3.0	1.0	585	5

147 Central Avenue  
Hackensack, NJ 07601  
Phone: (201) 489-8989  
Fax: (201) 489-6911

18703 Dix Toledo Road  
Brownstown, MI 48193

Saret Zone Franca, Edificio B  
Alajuela Costa Rica

E-mail: sales@chml.com • Web Site: www.chml.com

Chicago Miniature Lighting, LLC reserves the right to make specification revisions that enhance the design and/or performance of the product