

Part Number: WP7104ALUP/2GD-0L Green

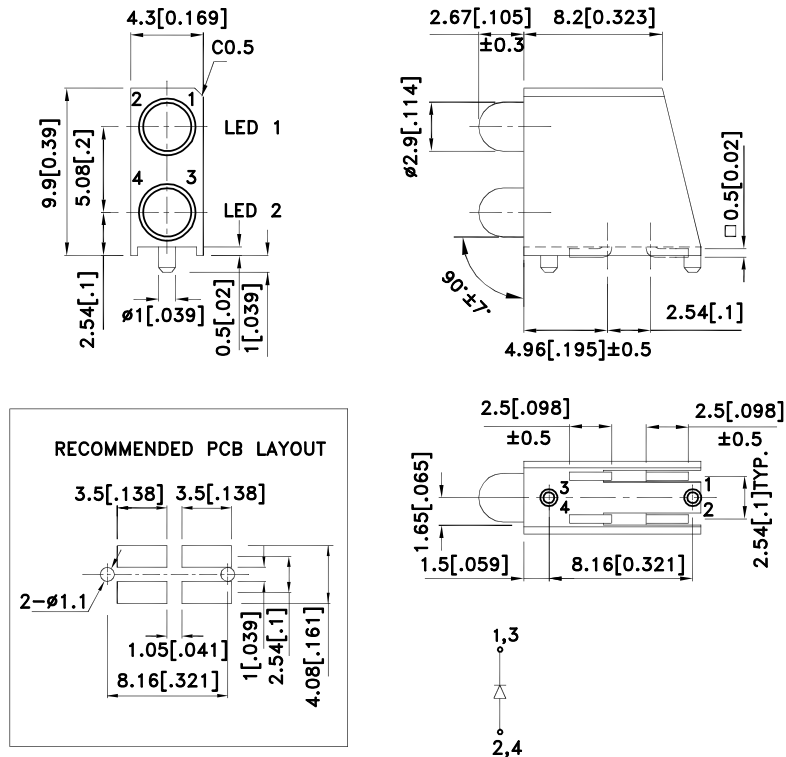
Features

- Black case enhances contrast ratio.
- Wide viewing angle.
- High reliability life measured in years.
- Housing material: PPA.
- High temperature resistant housing.
- High glass transition temperature epoxy.
- RoHS compliant.

Description

The Green source color devices are made with Gallium Phosphide Green Light Emitting Diode.

Package Dimensions



Notes:

1. All dimensions are in millimeters (inches).
2. Tolerance is ± 0.25 (0.01") unless otherwise noted.
3. The specifications, characteristics and technical data described in the datasheet are subject to change without prior notice.



Selection Guide

| Part No. | Dice | Lens Type | Iv (mcd) [2] @ 10mA | | Viewing Angle [1] |
|-------------------|-------------|----------------|------------------------|------|----------------------|
| | | | Min. | Typ. | 2θ1/2 |
| WP7104ALUP/2GD-0L | Green (GaP) | Green Diffused | 15 | 30 | 40° |

Notes:

1. θ1/2 is the angle from optical centerline where the luminous intensity is 1/2 of the optical peak value.
2. Luminous intensity/ luminous Flux: +/-15%.

Electrical / Optical Characteristics at TA=25°C

| Symbol | Parameter | Device | Typ. | Max. | Units | Test Conditions |
|--------|--------------------------|--------|------|------|-------|-----------------|
| λpeak | Peak Wavelength | Green | 565 | | nm | IF=20mA |
| λD [1] | Dominant Wavelength | Green | 568 | | nm | IF=20mA |
| Δλ1/2 | Spectral Line Half-width | Green | 30 | | nm | IF=20mA |
| C | Capacitance | Green | 15 | | pF | VF=0V;f=1MHz |
| VF [2] | Forward Voltage | Green | 2.2 | 2.5 | V | IF=20mA |
| IR | Reverse Current | Green | | 10 | uA | VR=5V |

Notes:

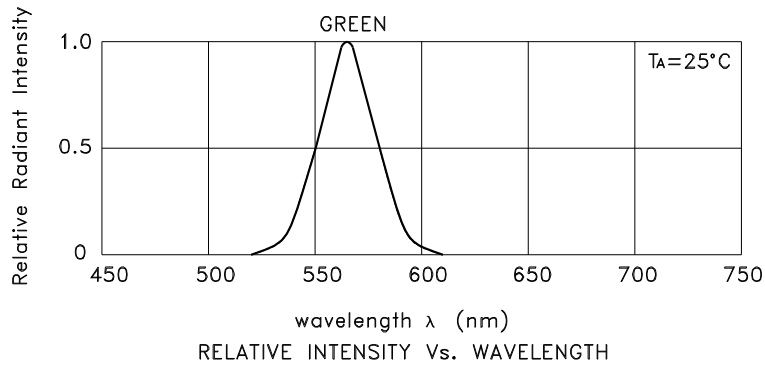
1. Wavelength: +/-1nm.
2. Forward Voltage: +/-0.1V.

Absolute Maximum Ratings at TA=25°C

| Parameter | Green | Units |
|--------------------------|----------------|-------|
| Power dissipation | 62.5 | mW |
| DC Forward Current | 25 | mA |
| Peak Forward Current [1] | 140 | mA |
| Reverse Voltage | 5 | V |
| Operating Temperature | -40°C To +85°C | |
| Storage Temperature | -40°C To +85°C | |

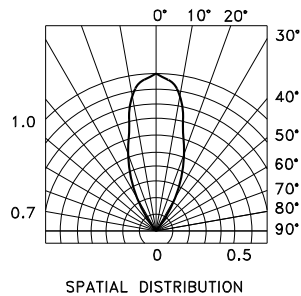
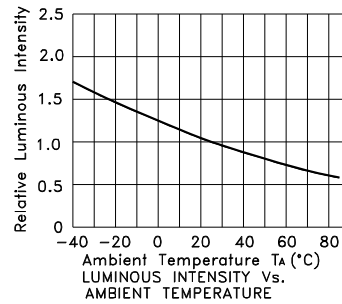
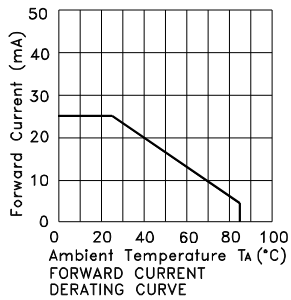
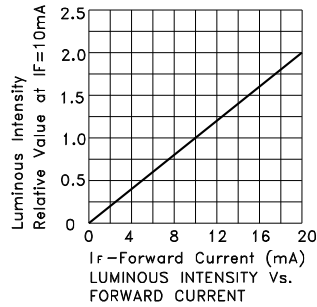
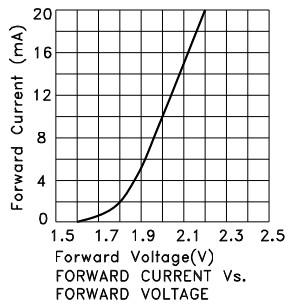
Note:

1. 1/10 Duty Cycle, 0.1ms Pulse Width.



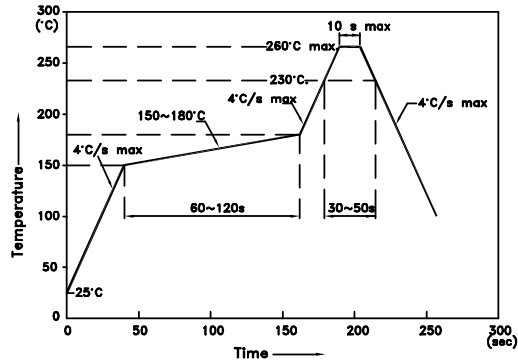
Green

WP7104ALUP/2GD-0L



WP7104ALUP/2GD-0L

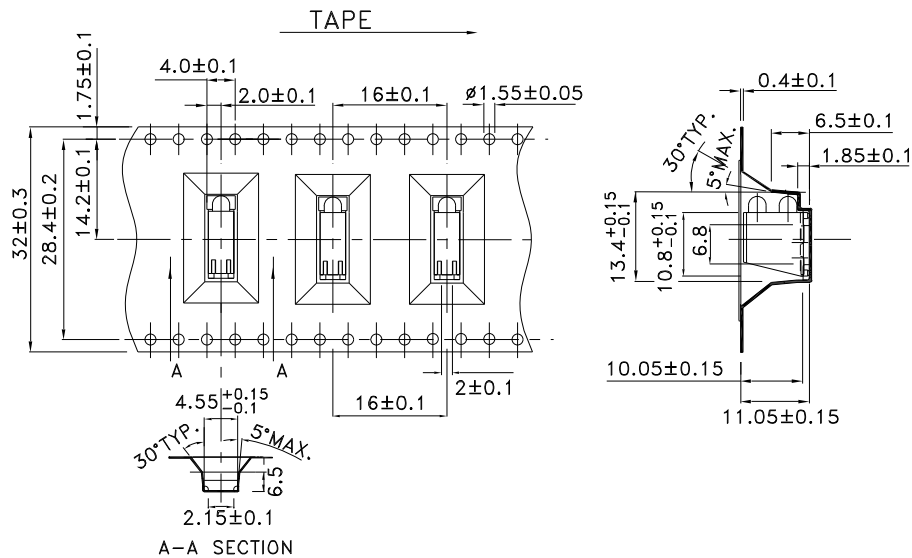
Reflow Soldering Profile For Lead-free SMT Process.



NOTES:

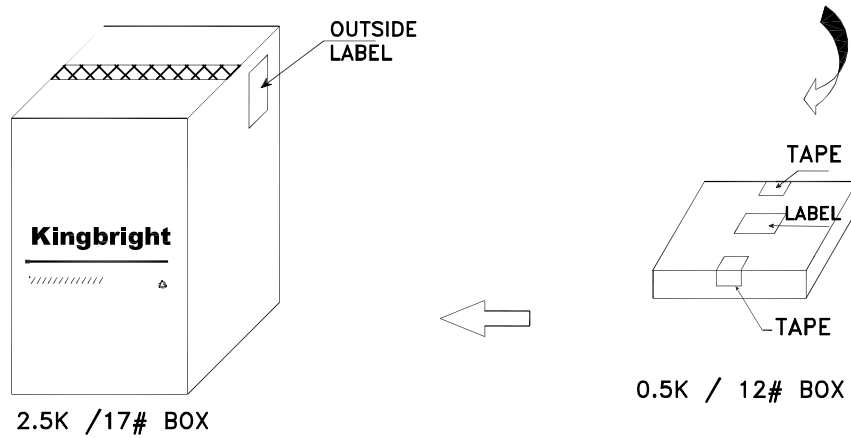
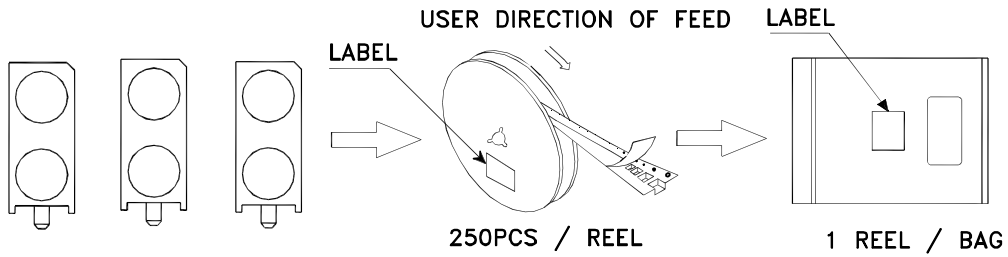
1. We recommend the reflow temperature 245°C(+/-5°C). The maximum soldering temperature should be limited to 260°C.
2. Don't cause stress to the epoxy resin while it is exposed to high temperature.
3. No more than once.

Tape Dimensions
(Units : mm)



PACKING & LABEL SPECIFICATIONS

WP7104ALUP/2GD-0L



| | |
|--|--|
| <h2 style="margin: 0;">Kingbright</h2> | |
| P/NO: WP7104ALUPxxx | |
| QTY: 250 pcs | Q.C. Q C xx xx xxxx PASSED |
| S/N: XXXX | |
| CODE: XXX | |
| LOT NO: | |
| | |
| RoHS Compliant | |

No stress shall be applied on the LED during soldering to prevent damage.

