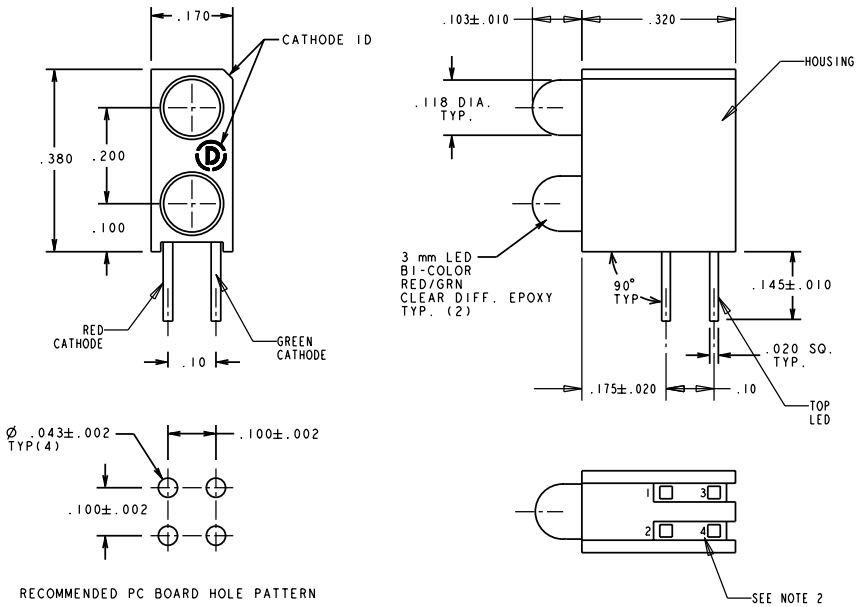


REV.	ECN NO.	REVISIONS	DRN.	CKD.	APP.	DATE
A		NEW RELEASE	TC			



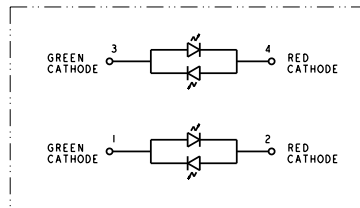
RED/GREEN BI-COLOR LEDS
OPERATING CHARACTERISTICS AT $T_A = 25^\circ\text{C}$

SYMBOL	PARAMETER	COLOR	MIN	TYP	MAX	UNITS	TEST COND.
V_F	FORWARD VOLTAGE	RED GREEN		2.0 2.1	2.8 2.8	V	$I_F = 20\text{ mA}$
λ_{PEAK}	PEAK WAVELENGTH	RED GREEN		635 565		nm	
I_V	LUMINOUS INTENSITY	RED GREEN	2.5 3.7	4.7 10.0		mc d	$I_F = 10\text{ mA}$

ABSOLUTE MAXIMUM RATING AT 25 °C AMBIENT		UNITS
POWER DISSIPATION	100	mW
CONTINUOUS FORWARD CURRENT	30	mA
DERATE LINEARLY FROM 25°C	40	mA/°C
PEAK PULSE CURRENT, 10µs PULSE	120	mA
PEAK REVERSE VOLTAGE	5	V
LEAD SOLDERING TEMPERATURE, 6 SEC., 1/16" FROM BASE	260	°C
OPERATING TEMPERATURE	-55 TO +100	°C
STORAGE TEMPERATURE	-55 TO +100	°C

NOTES:

- LEADS TO FIT INTO HOLES SPACED AS PER HOLE PATTERN.
- PIN NUMBERS FOR REFERENCE ONLY, DESIGNATION NON-EXISTENT ON PART.
- LED LEAD DIMENSIONS SHOWN ARE MEASURED AT HOUSING EXIT.
- DIALIGHT PART NO. 553-0711-010



THIS DRAWING AND THE CONTENTS HEREIN ARE CONFIDENTIAL AND THE SOLE PROPERTY OF DIALIGHT. REPRODUCTION OF THIS DRAWING OR CONSTRUCTION OF ANY PARTS WITHIN THIS DRAWING ARE FORBIDDEN WITHOUT THE WRITTEN CONSENT OF DIALIGHT.		
SCALE 5:1	DRAWING NUMBER	REV
ALL DIM'S IN: INCHES	C-16660	A
TOLERANCES: UNLESS OTHERWISE SPECIFIED	TITLE 3mm BI-LEVEL CBI, CATHODE LEFT	
FRACTIONS: ±1/64	MATERIAL	
DECIMALS (.XX): ±.01	Dialight	
DECIMALS (.XXX): ±.015	1913 ATLANTIC AVE. MANASQUAN, N. J. 08736	
ANGLES: ±3°	FSCM 83330	
FINISH:	SHEET 1 OF 1	FAMILY TABLE: