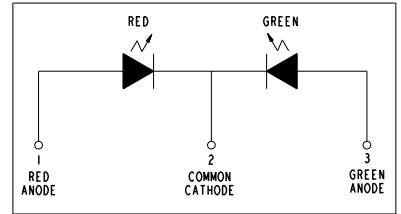
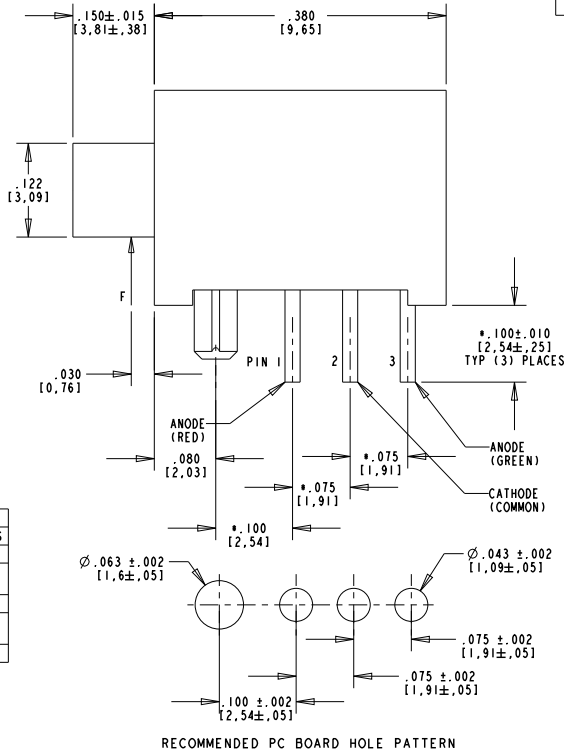
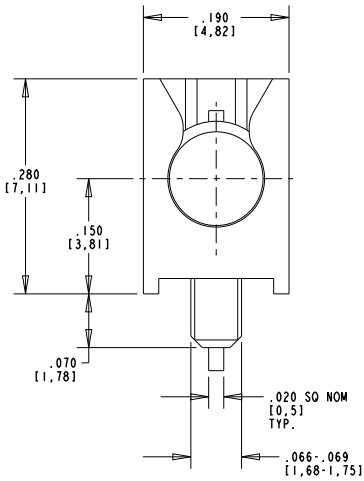


REV	ECN NO	REVISIONS	DRN	CKD	APP	DATE
A	—	NEW RELEASE	CE	AE	NO	1-26-07
B	—	UPDATED TOLERANCES; REVERSE CURRENT 100 WAS 20; INTENSITY ANGLE 116; ADDED METRIC UNITS.	AJF	KLJ	NO	7-23-09



RoHS Compliant 551-3508F
 Part Numbers with the "F" suffix ending are RoHS Compliant.
 Packaging is marked with "RoHS Compliant" label or equivalent markings.
 Parts can be wave soldered, dip soldered or hand soldered using typical lead-free soldering process with max 260°C temp. for 5 sec.

OPERATING CHARACTERISTICS AT 25° C AMBIENT					
LED CHARACTERISTICS	MIN	TYP.	MAX.	UNITS	TEST CONDITIONS
LUMINOUS INTENSITY	2	4		mcd	$I_f = 20$ mA
FORWARD VOLTAGE		2.0 2.1	2.5	V	$I_f = 20$ mA
REVERSE CURRENT			100	μ A	$V_R = 4$ V
PEAK WAVELENGTH		630 560		nm	$I_f = 20$ mA
2 X 1/2- INTENSITY ANGLE			116	DEGREES	$I_f = 20$ mA

ABSOLUTE MAXIMUM RATINGS AT 25° C AMBIENT	
POWER DISSIPATION	75 mW
DERATE LINEARLY FROM 25° C	.33 mA/°C
CONTINUOUS FORWARD CURRENT	30 mA
PEAK FORWARD CURRENT ($D \leq 1/20, t \leq 1$ ms)	100 mA
PEAK REVERSE VOLTAGE	4 V
LEAD SOLDERING TEMPERATURE, 5 SEC., 1/16" FROM BASE	260°C
OPERATING TEMPERATURE	-30°C to +85°C
STORAGE TEMPERATURE	-30°C to +100°C

- NOTES:
- LEADS TO FIT INTO HOLES SPACED AS PER PATTERN.
 - BODY OF LED TO SNAP INTO HOUSING.
 - RETENTION FORCE (F) APPLIED AS SHOWN TO BE 1.5 POUND MIN..
 - ** DENOTES CRITICAL DIMENSIONS.
 - DIALIGHT PART NUMBER: 551-3508F
 - THIS ASSEMBLY CONTAINS ELECTROSTATIC DISCHARGE SENSITIVE DEVICES (ESDS). MAINTAIN ALL PRECAUTIONARY MEASURES DURING ASSEMBLY, HANDLING AND STORAGE IN ACCORDANCE WITH IPC-A-610.

THIS DRAWING AND THE CONTENTS HEREIN ARE CONFIDENTIAL AND THE SOLE PROPERTY OF DIALIGHT. REPRODUCTION OF THIS DRAWING OR CONSTRUCTION OF ANY PARTS WITHIN THIS DRAWING ARE FORBIDDEN WITHOUT THE WRITTEN CONSENT OF DIALIGHT.		
SCALE: DRAWING SCALE	DRAWING NUMBER	REV
ALL DIM'S IN: INCHES (MM)	C-17452	B
TOLERANCES: UNLESS OTHERWISE SPECIFIED	TITLE 3mm BI-COLOR CBI 3 LEADED R/G RoHS COMPLIANT	
FRACTIONS: ±1/64	MATERIAL	
DECIMALS (.XX): ±.02	Dialight	
DECIMALS (.XXX): ±.010	1501 ROUTE 34 SOUTH FARMINGDALE, NJ 07727	
DECIMALS (.XXXX): ±.0005	FSCM 83330	
ANGLES: ±1°	SHEET 1 OF 1 FAMILY TABLE:	
FINISH:		



ATTENTION:
 OBSERVE PRECAUTIONS FOR
 HANDLING ELECTROSTATIC
 SENSITIVE DEVICES