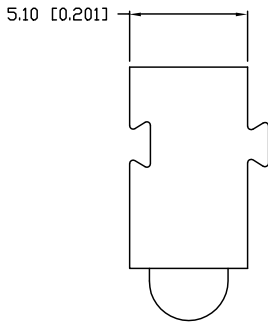


UNCONTROLLED DOCUMENT

PART NUMBER
SSF-LXH2300GD5V-LM

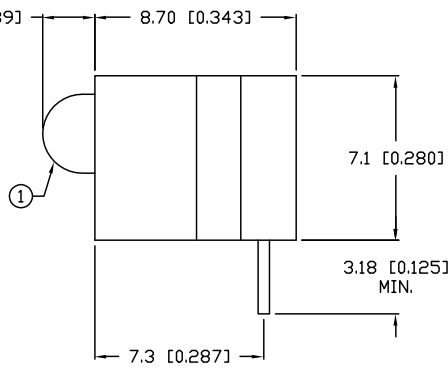
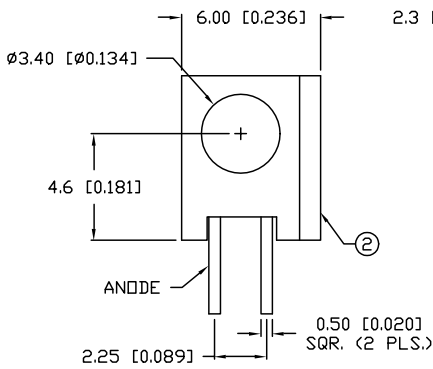
REV.



NOTES:

1. SSL-LX306F4GD-5V, GREEN LED.
2. SSH-LX2300, BLACK HOLDER.

ELECTRO-OPTICAL CHARACTERISTICS $T_A=25^\circ\text{C}$		$V_f = 5\text{ V}$		
PARAMETER	MIN	TYP	MAX	UNITS TEST COND
PEAK WAVELENGTH		565		nm
FORWARD VOLTAGE		5.0	7.0	V_f
REVERSE VOLTAGE	5.0			V_r $I_f=100\mu\text{A}$
AXIAL INTENSITY		30		mcd $V_f=5\text{ V}$
VIEWING ANGLE		60		$2x$ theta
EMITTED COLOR:	GREEN			
EPOXY LENS FINISH:	GREEN DIFFUSED			



LIMITS OF SAFE OPERATION AT 25°C

PARAMETER	MAX	UNITS
PEAK FORWARD CURRENT*	150	mA
STEADY CURRENT	25	mA
POWER DISSIPATION	105	mW
DERATE FROM 25°C	-1.6	mW/°C
OPERATING, STORAGE TEMP.	-40 TO +85	°C
SOLDERING TEMP.	+260	°C
2.0mm FROM BODY		3 SEC. MAX

* $t < 10\mu\text{s}$

UNCONTROLLED DOCUMENT

*TOLERANCES PER DECIMAL PRECISION ARE: X=±1 (±0.039), X.X=±0.5 (±0.020), X.XX=±0.25 (±0.010). LEAD LENGTH=±0.75 (±0.030), MIN= -0.00, MAX= +0.00 DECIMAL PRECISION -DECIMAL PRECISION

REV.	PART NUMBER SSF-LXH2300GD5V-LM	CONFIDENTIAL INFORMATION THE INFORMATION CONTAINED IN THIS DOCUMENT IS THE PROPERTY OF LUMEX INC. EXCEPT AS SPECIFICALLY AUTHORIZED IN WRITING BY LUMEX INC., THE HOLDER OF THIS DOCUMENT SHALL KEEP ALL INFORMATION CONTAINED HEREIN CONFIDENTIAL AND SHALL PROTECT SAME IN WHOLE OR IN PART FROM DISCLOSURE AND DISSEMINATION TO ALL THIRD PARTIES.	LUMEX INCORPORATED	290 E. HELLEN ROAD PALATINE, ILLINOIS 60067 PHONE: (847) 359-2790 WEB: http://www.lumex.com
T-3mm (T-1) MATING RIGHT ANGLE FAULT INDICATOR, 565nm GREEN LED, GREEN DIFFUSED LENS, 5 VOLTS.		RELIABILITY NOTE OUR MANY YEARS OF EXPERIENCE DATA ACCUMULATION INDICATE THAT SOLDER HEAT IS A MAJOR CAUSE OF EARLY AND FUTURE FAILURE. PLEASE PAY ATTENTION TO YOUR SOLDERING PROCESS.	DRAWN BY: KS/BC	CHECKED BY: APPROVED BY: DATE: 1-27-00
			PAGE: 1 OF 1	SCALE: N/A