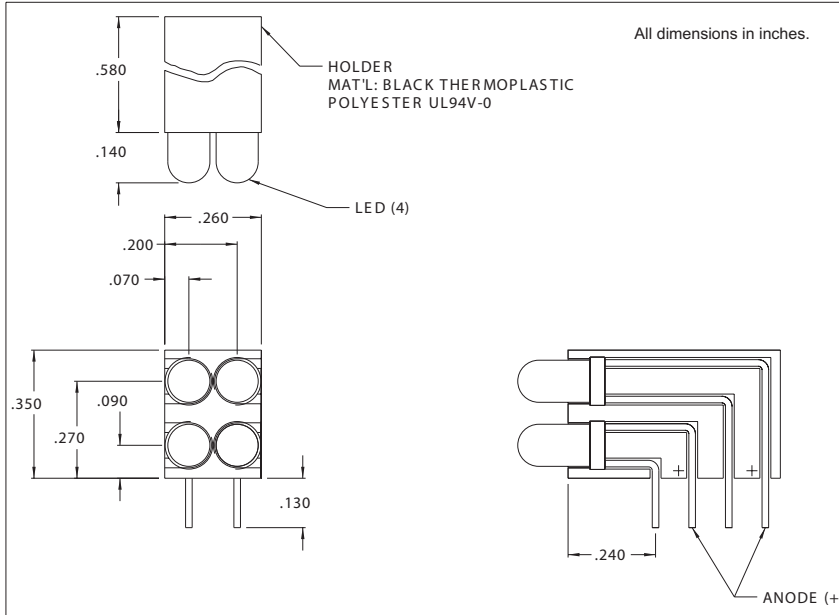




5684F Series PC Board Quad Array T-1 LEDs

DESCRIPTION AND FEATURES



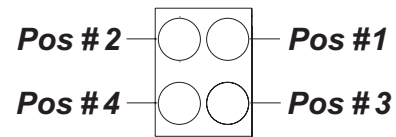
Features:

- 4T-1 LEDs mounted in single block
- High density - only 0.26 wide
- Black plastic mounting block for high contrast ratio.
- Meets UL 94V-O and Bellcore flammability specifications.

Available options:

- Low current, 5V and 12V built-in resistors.
- Bi-color and blue LEDs also offered.
- Call factory for ordering information.

Mounting hole pattern on page 1-X4.



Ordering Information: Use chart below to determine model number.

	Red	Amber	Green	Yellow
LED	1	3	5	7

Model No. is as follows: 5684F ; ; ;

Example: Position 1 is green, position 2 is red, position 3 is yellow, position 4 is amber. The part number is 5684F5;1;7;3.

ELECTRO-OPTICAL CHARACTERISTICS AND RATINGS

Part Number	Emitted Color	Rated Current (mA)	Typ. Intensity (mcd)	Continuous Forward Current Max. (mA)	Forward Voltage		Reverse Breakdown Voltage Min.(V)	Peak Wavelength (nm)
					Typ. (V)	Max. (V)		
5684F1	Red	10	10	25	2.2	3.0	5.0	635
5684F3	Amber	10	6.5	25	2.2	3.0	5.0	602
5684F5	Green	10	8.5	25	2.3	3.0	5.0	565
5684F7	Yellow	10	10	25	2.2	3.0	5.0	583

147 Central Avenue
 Hackensack, NJ 07601
 Phone: (201) 489-8989
 Fax: (201) 489-6911

18703 Dix Toledo Road
 Brownstown, MI 48193

Saret Zone Franca, Edificio B
 Alajuela Costa Rica

E-mail:sales@chml.com • Web Site: www.chml.com

Chicago Miniature Lighting, LLC reserves the right to make specification revisions that enhance the design and/or performance of the product