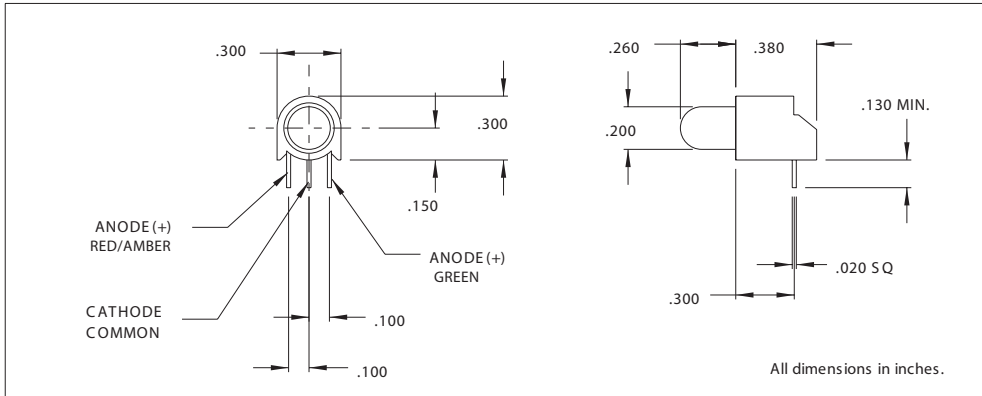




5305 Series T-1 3/4 Tricolor Right Angle LED Assembly

DESCRIPTION AND FEATURES



Features

- Block mounting, height and spacing alignment saves assembly cost and time.
- Super Brite LEDs-high intensity light output
- Press-in pin secures block to board for soldering.

- Press-in pin secures block to board for soldering.
- Standoffs prevent flux entrapment.

Housing: Black Nylon, UL94V-O

Alternate LEDs are also available in this package as a standard variation.

ELECTRO-OPTICAL CHARACTERISTICS AND RATINGS

| Part Number | Color | Typ. Intensity (mcd) | Rated Current (mA) | Continuous Forward Current Max. (mA) | Forward Voltage Typ. (V) | Forward Voltage Max. (V) | Reverse Break-down Voltage Min. (V) | Peak Wavelength (nm) |
|-------------|-------------|----------------------|--------------------|--------------------------------------|--------------------------|--------------------------|-------------------------------------|----------------------|
| 5305H1/5 | Red/Green | 6.3/10 | 10 | 60 | 2.1 | 2.8 | 4 | 650(R)/565(G) |
| 5305H3/5 | Amber/Green | 5.0/5.0 | 10 | 20 | 2.1 | 2.8 | 4 | 610(A)/565(G) |

147 Central Avenue
 Hackensack, NJ 07601
 Phone: (201) 489-8989
 Fax: (201) 489-6911

18703 Dix Toledo Road
 Brownstown, MI 48193

Saret Zone Franca, Edificio B
 Alajuela Costa Rica

E-mail: sales@chml.com • Web Site: www.chml.com

Chicago Miniature Lighting, LLC reserves the right to make specification revisions that enhance the design and/or performance of the product