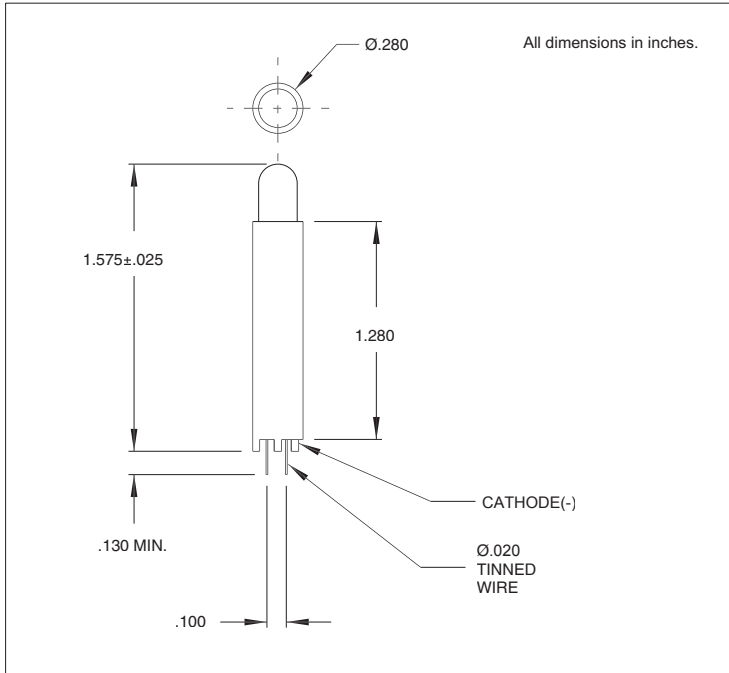




5341H Series T-1 3/4 Ultra Brite LED

DESCRIPTION AND FEATURES



Features

- Block mounting, height and spacing alignment-saves assembly cost and time.
- Ultra Brite-T1 3/4 LED, non-diffused narrow beam high intensity light.
- Standoffs prevent flux entrapment.

Housing: Black Nylon, UL94V -O

Note: Alternate LEDs are also available in this package as a standard variation.

ELECTRO-OPTICAL CHARACTERISTICS AND RATINGS

Part Number	Emitted Color	Typical Intensity (mcd)	Rated Current (mA)	Continuous Forward Current Max. (mA)	Forward Voltage		Reverse Breakdown Voltage Min. (V)	Peak Wavelength (nm)	Peak Forward Current at 1MS-300 PPS (A)
					Typ. (V)	Max. (V)			
5341H1	Red	120	20	35	2.0	3.0	5	635	.1
5341H5	Green	120	20	20	2.1	2.5	4	565	.09
5341H7	Yellow	120	20	35	2.1	3.0	5	585	.1

147 Central Avenue
 Hackensack, NJ 07601
 Phone: (201) 489-8989
 Fax: (201) 489-6911

18703 Dix Toledo Road
 Brownstown, MI 48193

Saret Zone Franca, Edificio B
 Alajuela Costa Rica

E-mail: sales@chml.com • Web Site: www.chml.com

Chicago Miniature Lighting, LLC reserves the right to make specification revisions that enhance the design and/or performance of the product