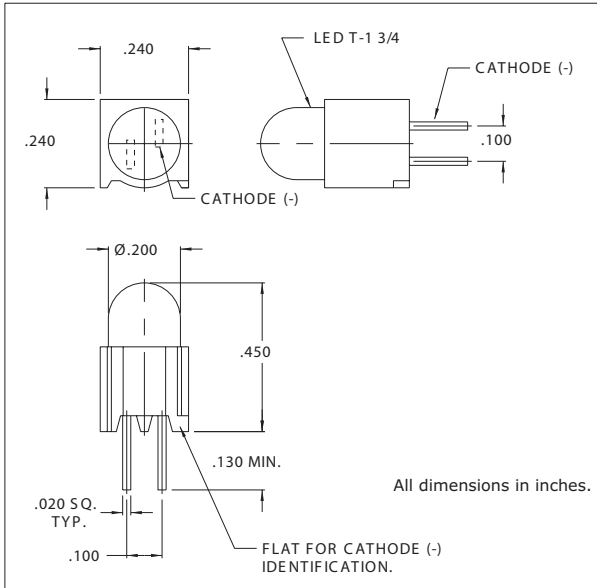




## 5381 Series T-1 3/4 Vertical LED Assembly

### DESCRIPTION AND FEATURES



#### Features

- Blockmounting, low profile design, height & space alignment - saves assembly costs.
- SuperBrite LEDs
- Standoffs prevent flux entrapment.
- Low current-only 2 mA needed.
- Built-in resistor chip-operates directly off 5 Volt supply without external resistor.

Housing: Black Nylon, UL94V-O

Note: Alternate LEDs are also available in this package as a standard variation.

Mounting hole pattern on page 1-X4.

### ELECTRO-OPTICAL CHARACTERISTICS AND RATINGS

Part Number	Emitted Color	Typical Intensity (mcd)	Rated Current (mA)	Continuous Forward Current Max. (mA)	Forward Voltage		Peak Forward Current @ 1ms-300 PPS (A)	Reverse Breakdown Voltage Min. (V)	Peak Wavelength (nm)
					Typ. (V)	Max. (V)			
5381H1	Red	6.3	10	60	2.0	3.0	1.0	5	650
5381H3	Amber	10	10	60	2.0	3.0	1.0	5	608
5381H5	Green	10	10	60	2.2	3.0	.09	5	563
5381H7	Yellow	10	10	60	2.1	3.0	1.0	5	585
5381H1LC	Red	2.3	2.0	7	1.8	2.2	.007	5	635
5381H5LC	Green	2.3	2.0	7	1.8	2.2	.007	5	565
5381H7LC	Yellow	2.1	2.0	7	1.9	2.7	.007	5	583
5381H1-5V	Red	8	10	15	5	7.5	-	5	635
5381H3-5V	Amber	8	10	15	5	7.5	-	5	583
5381H3-5V	Green	8	10	15	5	7.5	-	5	565

147 Central Avenue  
 Hackensack, NJ 07601  
 Phone: (201) 489-8989  
 Fax: (201) 489-6911

18703 Dix Toledo Road  
 Brownstown, MI 48193

Saret Zone Franca, Edificio B  
 Alajuela Costa Rica

E-mail: sales@chml.com • Web Site: www.chml.com

Chicago Miniature Lighting, LLC reserves the right to make specification revisions that enhance the design and/or performance of the product