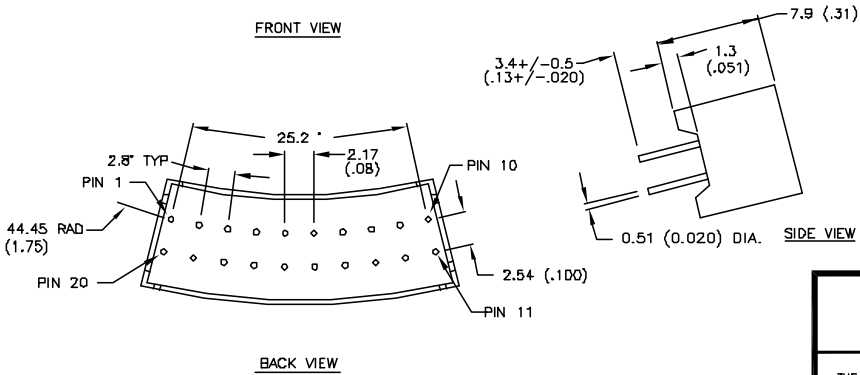
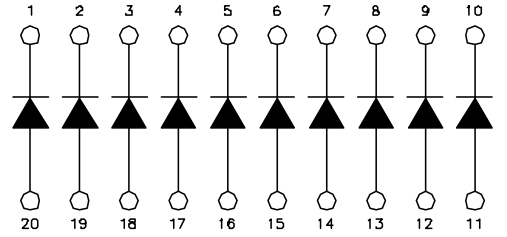
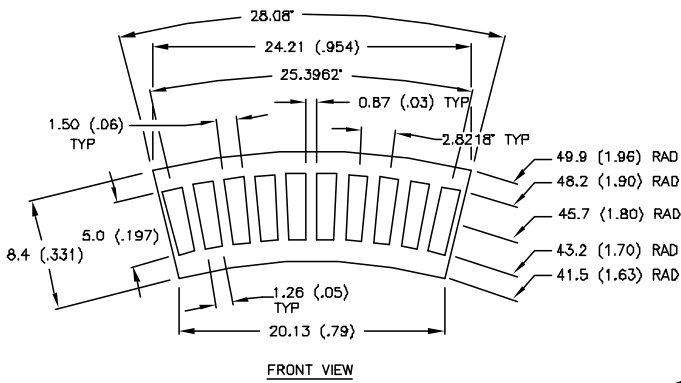


| | | | | |
|------|-----------|-----|--------------------------------------|-----|
| DATE | REVISIONS | REV | DRAWING NUMBER SSA-LXB10SRW-10652 | REV |
|------|-----------|-----|--------------------------------------|-----|



LUMEX
OPTO COMPONENTS INC.

290 E. HELLEN ROAD
PALATINE, ILLINOIS 60067
(847) 359-2790

CONFIDENTIAL INFORMATION
THE INFORMATION CONTAINED IN THIS DOCUMENT IS THE PROPERTY OF LUMEX OPTO/COMPONENTS, INC. EXCEPT AS SPECIFICALLY AUTHORIZED IN WRITING BY LUMEX OPTO/COMPONENTS, INC., THE HOLDER OF THIS DOCUMENT SHALL KEEP ALL INFORMATION CONTAINED HEREIN CONFIDENTIAL AND SHALL PROTECT SAME IN WHOLE OR IN PART FROM DISCLOSURE AND DISSEMINATION TO ALL THIRD PARTIES.

| | | | |
|---|--------------------------------------|--------|-------|
| DATE: 3-9-95 | DWN: | CHK'D: | APPD: |
| SCALE: N/A | | | |
| CUSTOM 10 SEGMENT LED ARRAY, SUPER RED | | | |
| PAGE 1 OF 2 | DRAWING NUMBER SSA-LXB10SRW-10652 | REV | |

UNLESS OTHERWISE SPECIFIED TOLERANCE IS $\pm 0.25\text{mm}$ ($\pm 0.010''$)

MS