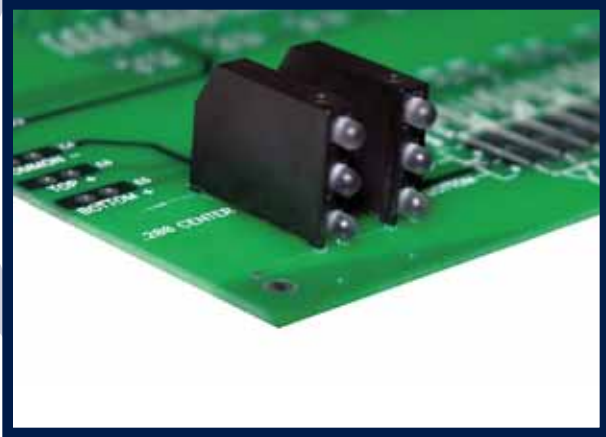


593 SERIES

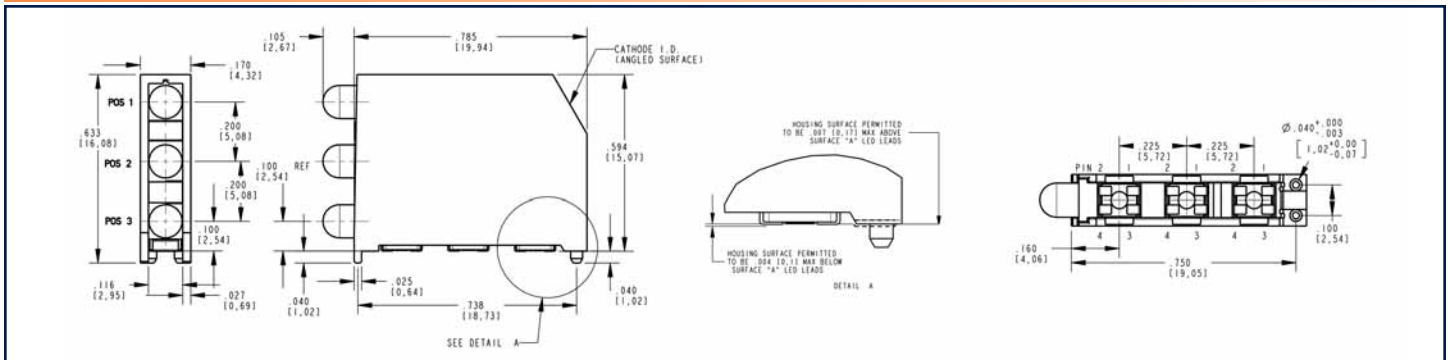
3mm Tri-level Prism® CBI® Surface Mount LED BI-COLOR



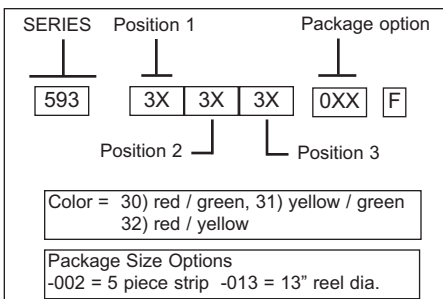
FEATURES / BENEFITS

- ▲ RoHS Compliant
- ▲ Incorporates latest LED technology, specifically designed for surface mounting
- ▲ Compatible with automatic placement equipment
- ▲ Compatible with surface mount reflow soldering processes
- ▲ Black housing enhances contrast ratio
- ▲ Housing material meet UL-94V-0 flammability ratings
- ▲ Patented Tri-level design provides increased indication without increased space
- ▲ Illumination areas compatible with industry standard 3mm through-hole Tri-level Circuit Board Indicators
- ▲ Packaged in moisture barrier bags for dry packaging per IPC/JEDEC J-STD-033, moisture sensitivity level 2
- ▲ Helps to eliminate mixed technology pc board processing

SPECIFICATIONS



PART NUMBER CODE*

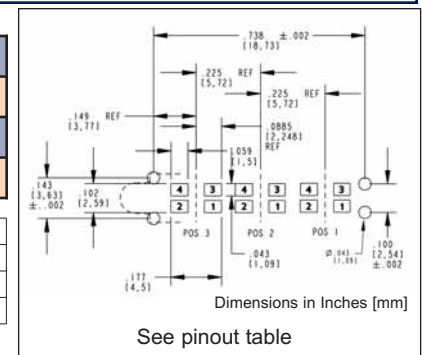


Note: Custom color combinations available upon request. Check with factory for details.

PART NUMBER COLOR COMBO

593-303030-0XXF	RED/GREEN-RED/GREEN-RED/GREEN
593-313131-0XXF	YELLOW/GREEN-YELLOW/GREEN-YELLOW/GREEN
593-323232-0XXF	RED/YELLOW-RED/YELLOW-RED/YELLOW

Pin1	Red Cathode	Pin1	Yellow Cathode
Pin2	Red Anode	Pin2	Yellow Anode
Pin3	Green Anode	Pin3	Green Anode
Pin4	Green Cathode	Pin4	Green Cathode



Dialight Corporation

1501 Route 34 South • Farmingdale, NJ 07727 USA

Tel: (1) 732-919-3119 • Fax: (1) 732-751-5778 • www.dialight.com



MDEF593B001_A

ABSOLUTE MAXIMUM RATINGS (TA= 25°C)

PARAMETER	30	31	32
COLOR	Red / Green	Yellow / Green	Red / Yellow
POWER DISSIPATION (derate linearly from 55°C mA°C)	95mW 0.75	95mW 0.75	95mW 0.75
FORWARD DC CURRENT	30mA	30mA	30mA
PEAK FORWARD CURRENT (µsec)	0.5 amp	0.5 amp	0.5 amp
OPERATING TEMPERATURE	-40°C To +100°C	-40°C To +100°C	-40°C To +100°C
STORAGE TEMPERATURE	-40°C To +100°C	-40°C To +100°C	-40°C To +100°C
SOLDERING TEMPERATURES IR REFLOW FOR LEAD FREE SOLDERING, RoHS	260°C (+0°C / -5°C) For 30 Seconds		

OPERATING CHARACTERISTICS (TA= 25°C)

PARAMETER	PART NO.	COLOR	MIN	TYP	MAX	UNITS	TEST COND.
Forward Voltage V _F	30	red / green		2/2	2.5/2.5	V	I _F =10mA
	31	yellow / green		2/2	2.5/2.5		
	32	red / yellow		2/2	2.5/2.5		
Reverse Voltage V _R	30	red / green	12/12			V	I _F =10µA
	31	yellow / green	12/12				
	32	red / yellow	12/12				
Dominant Wavelength Dom	30	red / green		628/570		nm	
	31	yellow / green		540/570			
	32	red / yellow		628/590			
Luminous Intensity I _v	30	red / green		7/10		mcd	I _F =20mA
	31	yellow / green		6/10			
	32	red / yellow		9/6			
Viewing Angle (2Ø 1/2)	30	red / green		40/40		deg.	
	31	yellow / green		40/40			
	32	red / yellow		40/40			

DIALIGHT RESERVES THE RIGHT TO MAKE CHANGES AT ANY TIME IN ORDER TO SUPPLY THE BEST PRODUCT POSSIBLE.



Dialight Corporation
1501 Route 34 South • Farmingdale, NJ 07727 USA
Tel: (1) 732-919-3119 • Fax: (1) 732-751-5778 • www.dialight.com



MDEF593B001_A