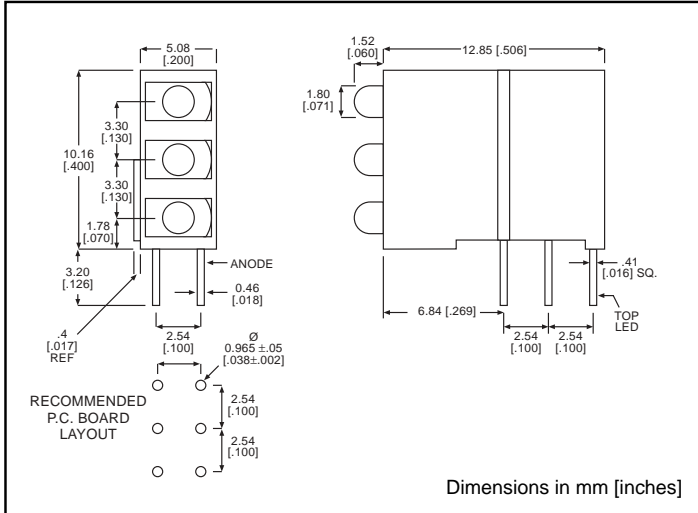


2mm
LED CBI® Circuit Board Indicator
(DIN 41494 Compatible), Tri-Level

Dialight
570-0100-xxx



PART NO.

COLOR*

- 570-0100-111
- 570-0100-132
- 570-0100-222
- 570-0100-333

- Red-Red-Red
- Red-Yellow-Green
- Green-Green-Green
- Yellow-Yellow-Yellow

* Top-Middle-Bottom LED

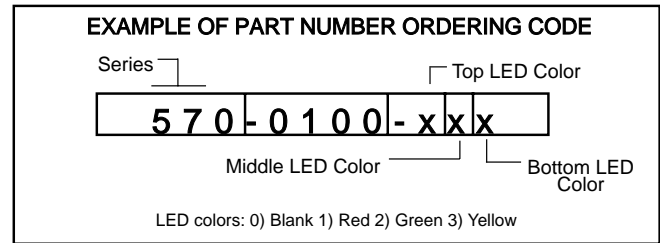
3

Features

- Designed to accommodate DIN 41494
- Multiple CBIs form horizontal LED arrays on 5.08mm (0.200") center-lines
- High Contrast, UL 94 V-0 rated, black housing
- Oxygen index: 29%
- Polymer content: PBT, 0.595 g
- Housing stand-offs facilitate PCB cleaning
- Solderability per MIL-STD-202F, method 208F
- LEDs are safe for direct viewing per IEC 825-1, EN- 60825-1

Custom Combinations

- Contact factory for information on custom color combinations.



Tolerance note: As noted, otherwise:

- LED Protrusion: ±0.04 mm [±0.016]
- CBI Housing: ±0.02mm[±0.008]

Typical Operating Characteristics (T_A = 25°C) See LED data sheet for additional information
GENERAL PURPOSE See Page 3-17 and 3-18 for Reference Only LED Drive Circuit Examples

See Page 3-19 for Pin Out

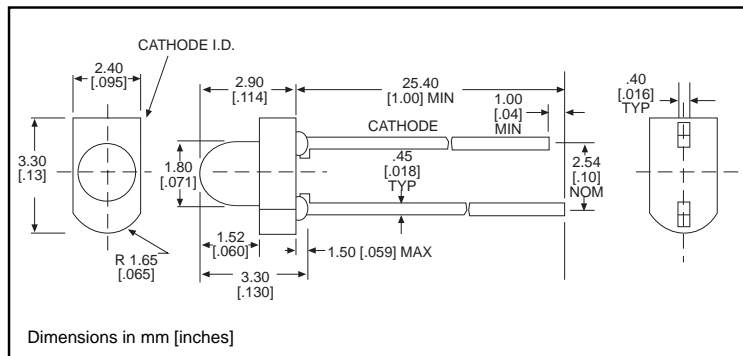
| Part Number | Color | Peak Wavelength nm | I _v * mcd | V _F ** Volts | Viewing Angle 2θ _{1/2} | LED Data sheet | Page # |
|--------------|--------|--------------------|----------------------|-------------------------|---------------------------------|----------------|--------|
| 570-0100-xxx | Red | 635 | 12.6 | 2 | 38° | 521-9630 | 3-13 |
| | Green | 565 | 8.7 | 2.1 | 38° | 521-9632 | 3-13 |
| | Yellow | 585 | 12.6 | 2.1 | 38° | 521-9631 | 3-13 |

* I_F = 10 mA **I_F = 20 mA

2mm Discrete LED Diffused

Dialight

521-9630, -9631, -9632



| PART NO. | COLOR |
|----------|--------|
| 521-9630 | Red |
| 521-9631 | Yellow |
| 521-9632 | Green |

3

| ABSOLUTE MAXIMUM RATINGS (T _A =25°C) | Red | Yellow | Green |
|---|------------------------------------|----------|----------|
| | -9630 | -9631 | -9632 |
| Power Dissipation (mW) | 100 | 60 | 100 |
| Forward Current (mA) | 30 | 20 | 30 |
| Derating (mA/°C) From 25°C | .4 | .25 | .4 |
| Peak Current (mA) Pulse width = 10µs | 120 | 80 | 120 |
| Operating Temperature (°C) | -55/+100 | -55/+100 | -55/+100 |
| Storage Temperature (°C) | -55/+100 | -55/+100 | -55/+100 |
| Soldering Temperature | 260°C, 5 seconds, 1.6 mm from case | | |

| OPERATING CHARACTERISTICS (T _A =25°C) | | Red | Yellow | Green |
|--|---------|-------|--------|-------|
| | | -9630 | -9631 | -9632 |
| Luminous Intensity (mcd) | Min. | 3.7 | 3.7 | 2.5 |
| | Typical | 12.6 | 12.6 | 8.7 |
| Peak Wavelength (nm) | Typical | 635 | 585 | 565 |
| Viewing Angle (2θ _{1/2}) | Typical | 38° | 38° | 38° |
| Forward Voltage (V) | Typical | 2 | 2.1 | 2.1 |
| | Max. | 2.8 | 2.8 | 2.8 |
| Reverse Voltage (V), I _R =100µA | Min. | 5 | 5 | 5 |

θ^{1/2} is the off axis angle at which the luminous intensity is half the axial luminous intensity