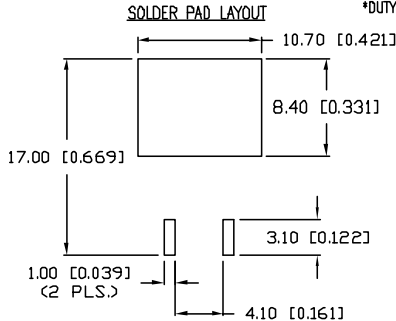
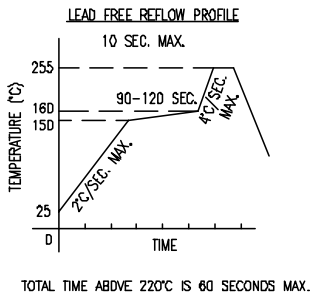
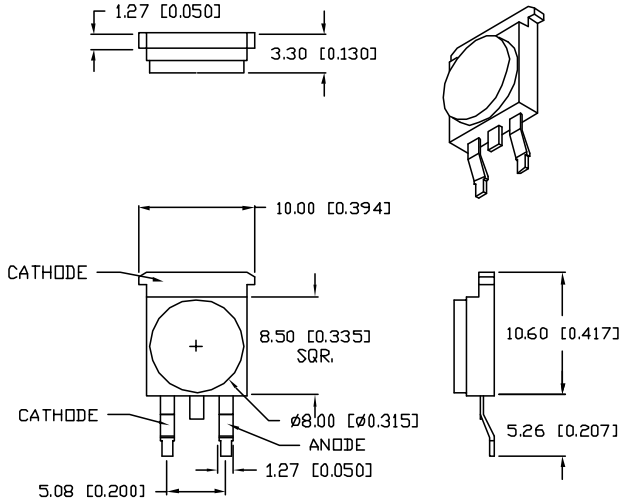


UNCONTROLLED DOCUMENT



PART NUMBER		REV.
SML-LX1610UPGC/A		A
REV.	E.C.N. NUMBER AND REVISION COMMENTS	DATE
A	E.C.N. #11388.	01.11.07

PARAMETER	SYMBOL	MIN	TYP	MAX	UNITS	TEST COND
PEAK WAVELENGTH			525		nm	
FORWARD VOLTAGE	V _f	4	2		V	I _f =350mA
REVERSE VOLTAGE	V _r	5			V	I _r =10µA
AXIAL INTENSITY(*1)	I _v		25		lm	I _f =350mA
VIEWING ANGLE			110		2x theta	
EMITTED COLOR:	GREEN					
EPOXY LENS FINISH:	WATER CLEAR					

PARAMETER	SYMBOL	MAX	UNITS
PULSE FORWARD CURRENT	I _p	500	mA
STEADY CURRENT	I _f	350	mA
POWER DISSIPATION	P _D	1.5	W
OPERATING TEMP.	T _{OPR}	-20 TO +70	°C
STORAGE TEMP.	T _{STG}	-40 TO +85	°C

*DUTY 1/10 PULSE WIDTH 10ms

CAUTION: STATIC SENSITIVE DEVICE
FOLLOW PROPER E.S.D. HANDLING PROCEDURES
WHEN WORKING WITH THIS PART.

NOTES:

1. 50 PCS. IN EACH TUBE.



*UNLESS OTHERWISE SPECIFIED TOLERANCES PER DECIMAL PRECISION ARE: X=±1 (±0.039), XX=±0.5 (±0.020), XXX=±0.25 (±0.010), XXXX=±0.127 (±0.005). LEAD SIZE=±0.05 (±0.002), LEAD LENGTH=±0.75 (±0.030), MIN=+DECIMAL PRECISION -0.00, MAX.=+0.00 -DECIMAL PRECISION

REV.	PART NUMBER
A	SML-LX1610UPGC/A
10.60 x 10mm HIGH POWER LED, 525nm GREEN LED.	

CONFIDENTIAL INFORMATION
THE INFORMATION CONTAINED IN THIS DOCUMENT IS THE PROPERTY OF LUMEX INC. EXCEPT AS SPECIFICALLY AUTHORIZED IN WRITING BY LUMEX INC., THE HOLDER OF THIS DOCUMENT SHALL KEEP ALL INFORMATION CONTAINED HEREIN CONFIDENTIAL AND SHALL PROTECT SAME IN WHOLE OR IN PART FROM DISCLOSURE AND DISSEMINATION TO ALL THIRD PARTIES.

RELIABILITY NOTE
OUR MANY YEARS OF EXPERIENCE DATA ACCUMULATION INDICATE THAT SOLDER HEAT IS A MAJOR CAUSE OF EARLY AND FUTURE FAILURE. PLEASE PAY ATTENTION TO YOUR SOLDERING PROCESS.



290 E. HELEN ROAD PALATINE, IL 60067-6976 PHONE: +1.847.359.2790 US WEB: www.lumex.com TW WEB: www.lumex.com.tw	DRAWN BY:	CHECKED BY:	APPROVED BY:	DATE:
	JC			8.31.06
				PAGE: 1 OF 1
				SCALE: N/A