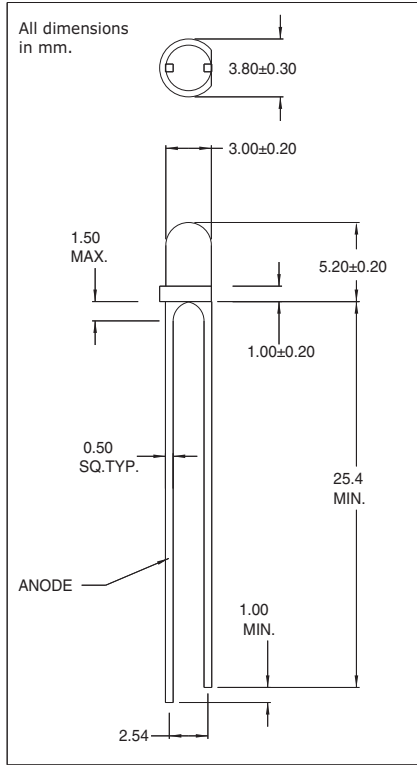




## CMD204 UWC Series T-1 White LED

### DESCRIPTION AND FEATURES



### ELECTRO-OPTICAL CHARACTERISTICS AND RATINGS

PART NUMBER	CMD204UWC
Output Color	White
Diffusion	Non-Diffused
Package Color	Clear
Test Current (mA)	20
Forward Voltage Typ. (V)	3.7
Forward Voltage Max. (V)	3.85
Luminous Intensity Min. (mcd)	700
Luminous Intensity Typ. (mcd)	1000
Luminous Intensity Max. (mcd)	-
Peak Wavelength (nm)	475
Viewing Angle (degrees)	22
Power Dissipation (mW)	120
Operating Temperature (°C)	-20 to +70
Storage Temperature (°C)	-30 to +100
Peak Forward Current Max. (1µs @ 10% duty cycle) (mA)	100
Reverse Voltage (IR=100µA) (V)	5.0
Lead Solder Time @ 260°C	5

147 Central Avenue  
 Hackensack, NJ 07601  
 Phone: (201) 489-8989  
 Fax: (201) 489-6911

18703 Dix Toledo Road  
 Brownstown, MI 48193

Saret Zone Franca, Edificio B  
 Alajuela Costa Rica

E-mail: sales@chml.com • Web Site: www.chml.com

Chicago Miniature Lighting, LLC reserves the right to make specification revisions that enhance the design and/or performance of the product