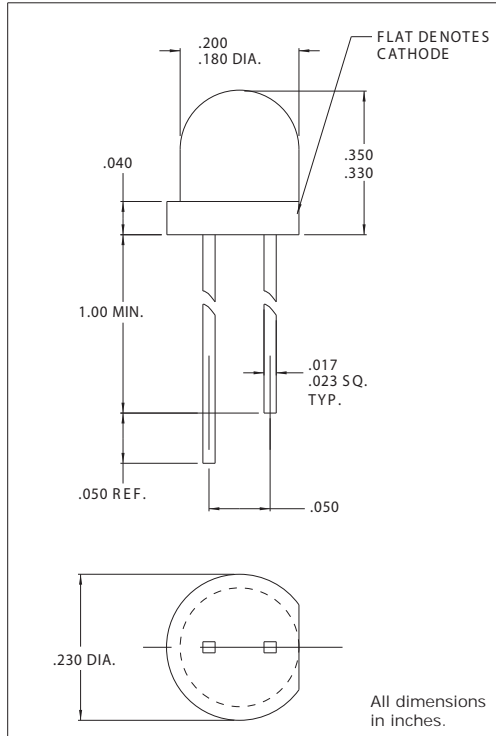




T-1 3/4 Ultrabright LED Lamps

DESCRIPTION AND FEATURES



The Ultrabright CMD3X50 Series LED lamp provides exceptional brightness in a very narrow viewing area, in a clear tinted non-diffused package making them excellent for small area backlighting. A pale tint aids in identification. The High Efficiency Red and Yellow lamps are produced with GaAsP/GaP and the High Efficiency Green lamp is produced with GaP/GaP. All feature an 80 mcd minimum luminous intensity.

ELECTRO-OPTICAL CHARACTERISTICS AND RATINGS

PART NUMBER	CMD3350	CMD3750	CMD3450
Output Color	Yellow	H.E.Red	H.E.Green
Package Type	Tint N.D.	Tint N.D.	Tint N.D.
Package Color	Clear	Clear	Clear
Test Current (mA)	20	20	20
Forward Voltage Typ. (V)	2.2	2.2	2.2
Forward Voltage Max. (V)	3.0	3.0	3.0
Luminous Intensity Min. (mcd)	80.0	80.0	80.0
Luminous Intensity Typ. (mcd)	150.0	150.0	150.0
Luminous Intensity Max. (mcd)	-	-	-
Peak Wavelength (nm)	585	635	565
Viewing Angle 2θ 1/2 (degrees)	24	24	24
Power Dissipation (mW)	85	135	135
Operating Temperature (°C)	-55 to +100	-55 to +100	-55 to +100
Storage Temperature (°C)	-55 to +100	-55 to +100	-55 to +100
Peak Forward Current Max. (1μs @ 0.3% duty cycle) (mA)	60	90	90
Reverse Voltage (IR=100μA) (V)	5	5	5
Lead Solder Time @ 260°C	5	5	5

Chicago Miniature Lamp reserves the right to make specification revisions that enhance the design and/or performance of the product