

# Blue-Green Top-View Surface Mount LED

## OVSACBC2R8

- High intensity with low power consumption
- White PLCC4 packaged in 8 mm tape on 7" diameter reel
- Compatible with automatic placement equipment
- Dimensions: 3.5 x 2.8 x 1.95 mm
- 120° viewing angle

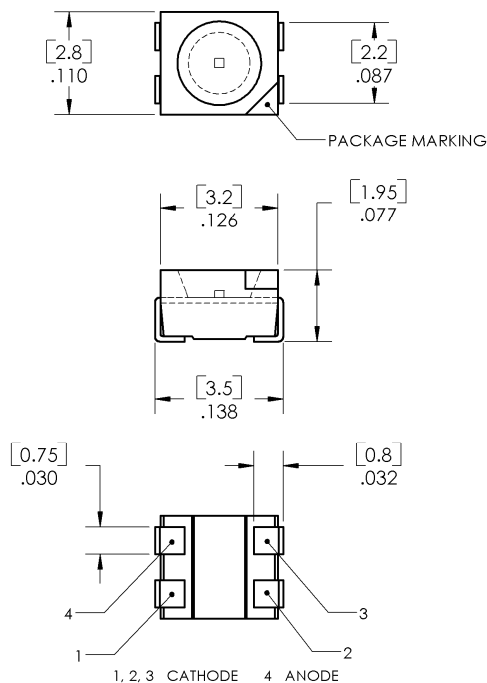


The **OVSACBC2R8** is designed for wide angle, uniform light output. Its internal reflector and colorless clear lens optimize luminous intensity and make it ideal for backlighting applications and for coupling with light guides.

### Applications

- Traffic lights
- Signal and symbol luminaire
- Mono-color indicators
- Backlighting (LCD, switches, displays and illuminated advertising)
- Interior automotive lighting (instrumentation clusters)
- Safety marker lights (steps, exit ways)

Part Number	Material	Emitted Color	Intensity Typ. mcd	Lens Color
OVSACBC2R8	InGaN	Blue-Green	560	Water Clear



**DO NOT LOOK DIRECTLY AT LED WITH UNSHIELDED EYES OR DAMAGE TO RETINA MAY OCCUR.**

OPTEK reserves the right to make changes at any time in order to improve design and to supply the best product possible.

### Absolute Maximum Ratings

$T_A = 25^\circ\text{C}$  unless otherwise noted

Storage Temperature Range	-40 ~ +100°C
Operating Temperature Range	-40 ~ +100°C
Junction Temperature	110°C
Junction/Ambient <sup>1</sup>	350°C/W
Junction/Solder Point	200°C/W
Reverse Voltage	5 V
Continuous Forward Current	30 mA
Peak Forward Current (10% Duty Cycle, PW ≤ 100 μsec)	100 mA
Power Dissipation	140 mW

Note:

- <sup>1</sup> R<sub>th</sub> test condition: Mounted on PC board FR 4 (pad size ≥ 16 mm<sup>2</sup>)

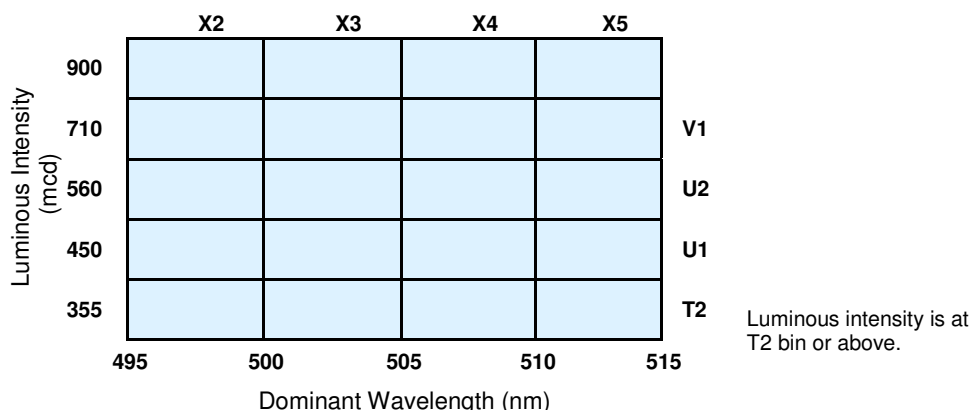
### Electrical Characteristics

$T_A = 25^\circ\text{C}$  unless otherwise noted

SYMBOL	PARAMETER	MIN	TYP	MAX	UNITS	CONDITIONS
$I_V$	Luminous Intensity	355	560	----	mcd	$I_F = 30\text{ mA}$
$V_F$	Forward Voltage	----	3.9	4.6	V	$I_F = 30\text{ mA}$
$I_R$	Reverse Current	----	----	10	μA	$V_R = 5\text{ V}$
$\lambda_D$	Dominant Wavelength	495	505	515	nm	$I_F = 30\text{ mA}$
$2\theta_{1/2}$	50% Power Angle	----	120	----	deg	$I_F = 30\text{ mA}$

### Standard Bins ( $I_F = 30\text{ mA}$ )

Lamps are sorted to luminous intensity ( $I_V$ ) and dominant wavelength ( $\lambda_D$ ) bins shown. Orders for OVSACBC2R8 may be filled with any or all bins contained as below.

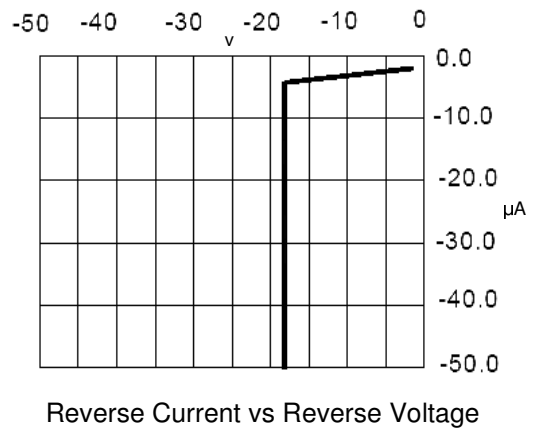
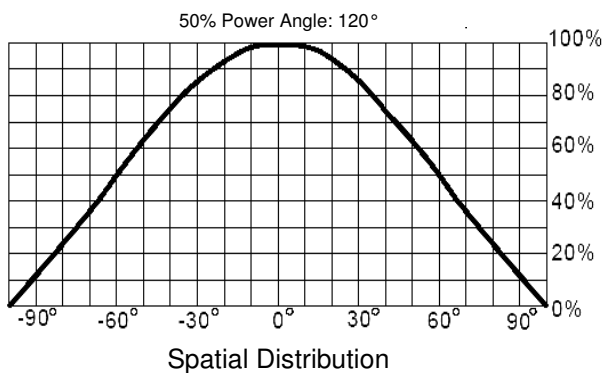
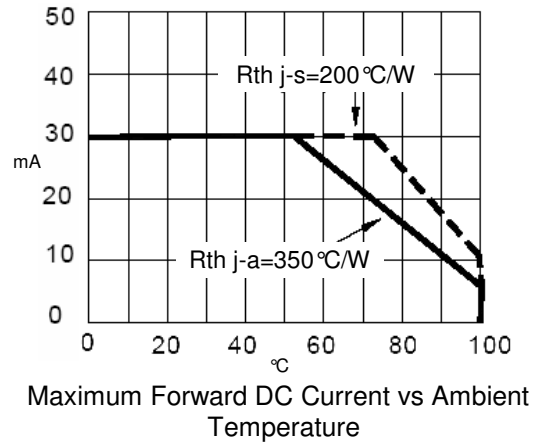
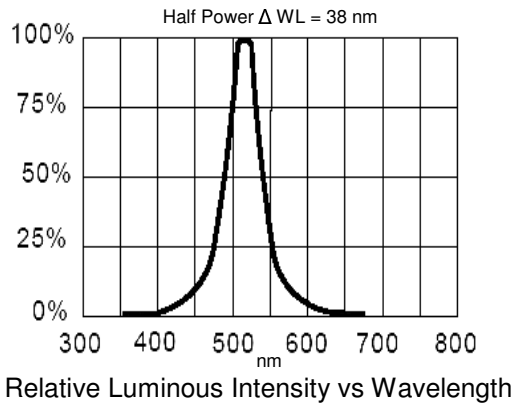
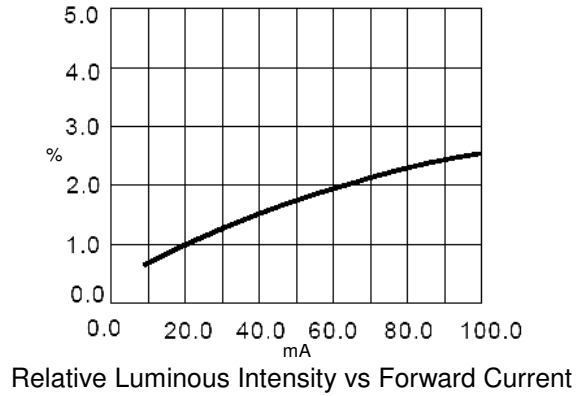
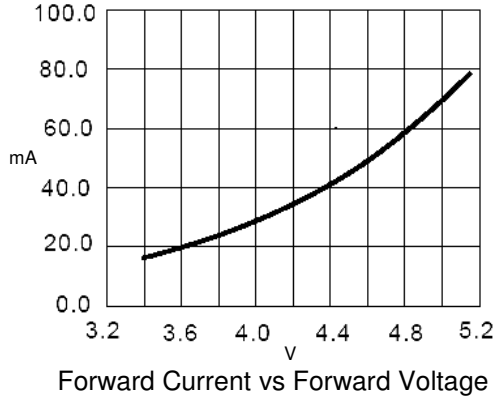


### Important Notes:

- All ranks will be included per delivery, rank ratio will be based on the chip distribution.
- To designate luminous intensity ranks, please contact OPTEK.

OPTEK reserves the right to make changes at any time in order to improve design and to supply the best product possible.

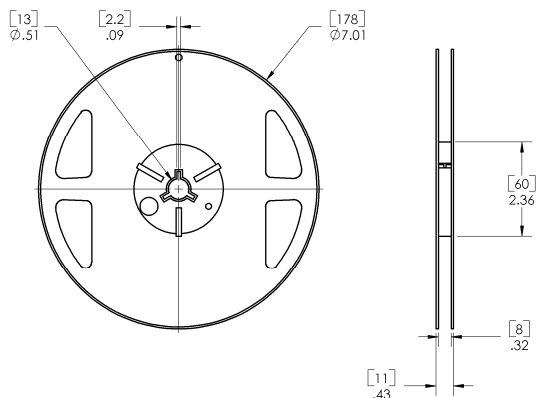
### Typical Electro-Optical Characteristics Curves



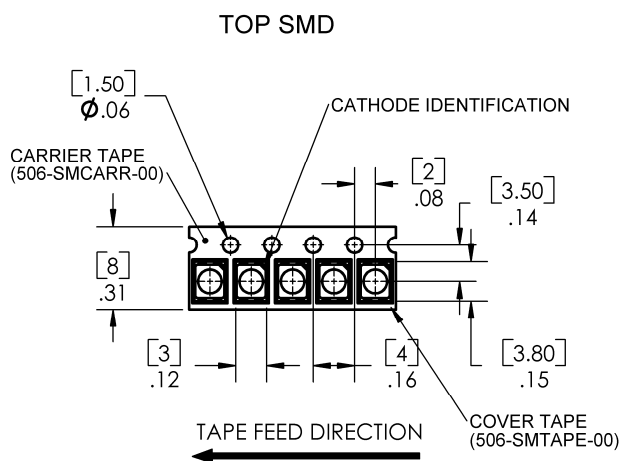
OPTEK reserves the right to make changes at any time in order to improve design and to supply the best product possible.

# Blue-Green Top-View Surface Mount LED OVSACBC2R8

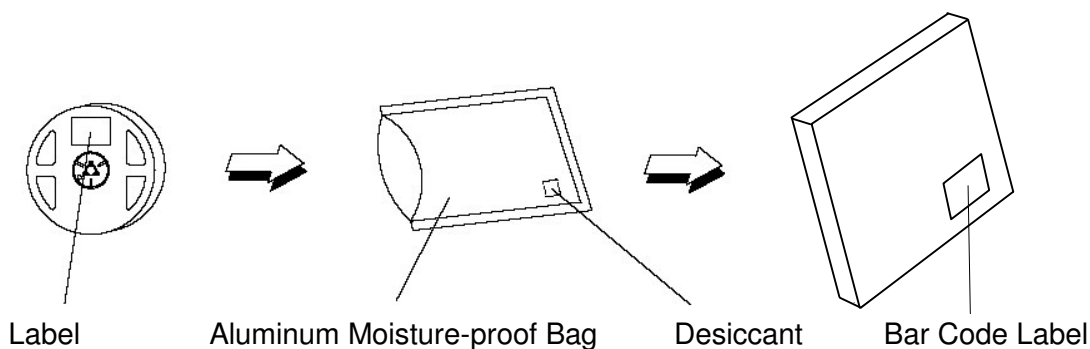
Reel Dimensions: 7-inch reel



Carrier Tape Dimensions: Loaded quantity 2000 pieces per reel



## Moisture Resistant Packaging



OPTEK reserves the right to make changes at any time in order to improve design and to supply the best product possible.