

丸形

Round Type

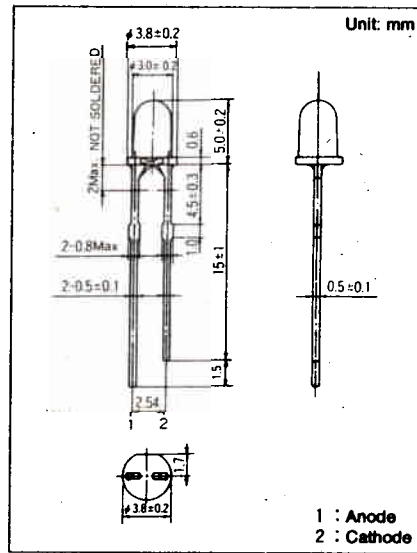
φ 3.0mm Series

Type No.	Lighting Color
LN28RP	Red
LN28RCP	Red
LN28WP	Red
LN28CP	Red

絶対最大定格 Absolute Maximum Ratings (Ta=25 °C)

Lighting Color	P <sub>D</sub> (mW)	I <sub>F</sub> (mA)	I <sub>FP</sub> (mA)*	V <sub>R</sub> (V)	Topr (°C)	Tstg (°C)
Red	70	25	150	4	-25~+85	-30~+100

\* I<sub>FP</sub>の条件は、duty 10%、Pulse width 1 msec. The condition of I<sub>FP</sub> is duty 10%, Pulse width 1 msec



電気的光学的特性 Electro-Optical Characteristics (Ta=25 °C)

Type No.	Lighting Color	Lens Color	I <sub>O</sub>			V <sub>F</sub>		λ <sub>P</sub>	Δλ	I <sub>F</sub>	I <sub>n</sub>	
			Typ.	Min.	I <sub>F</sub>	Typ.	Max.				Max.	V <sub>R</sub>
LN28RP	Red	Red Diffused	0.8	0.3	15	2.2	2.8	700	100	20	5	4
LN28RCP	Red	Red Clear	1.5	0.6	15	2.2	2.8	700	100	20	5	4
LN28WP	Red	White Diffused	1.0	0.3	15	2.2	2.8	700	100	20	5	4
LN28CP	Red	Clear	2.0	0.8	15	2.2	2.8	700	100	20	5	4
Unit	—	—	mcd	mcd	mA	V	V	nm	nm	mA	μA	V

