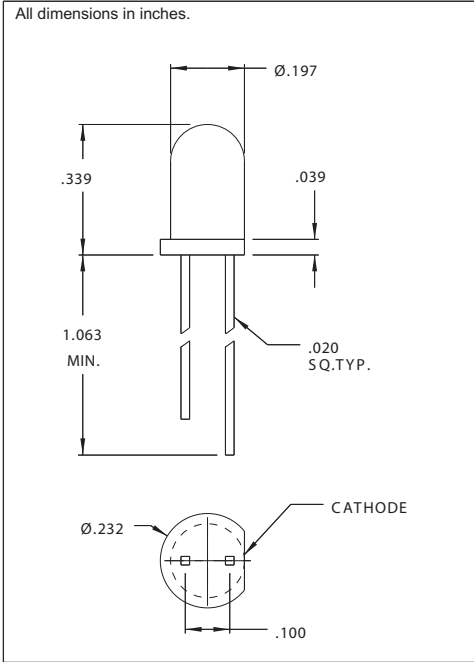




4301H1/1, H5/5, H7/7 Series Solid State LED Lamp-Bi-Polar-AC/DC Operation T-1 3/4

DESCRIPTION AND FEATURES



T-1 3/4 Super Brite (Green)
Bi-Polar LEDs

- Ideal for use on AC or DC where polarity cannot be determined.

ELECTRO-OPTICAL CHARACTERISTICS AND RATINGS

PART NUMBER	4301H1/1	4301H5/5	4301H7/7
Output Color	Red	Green	Yellow
Diffusion	Diffused	Diffused	Diffused
Package Color	Red	Green	Yellow
Test Current (mA)	20	20	20
Forward Voltage Typ. (V)	2.0	2.2	2.1
Forward Voltage Max. (V)	2.5	2.5	2.5
Luminous Intensity Min. (mcd)	8.0	5.0	5.0
Luminous Intensity Typ. (mcd)	20	20	20
Continuous Forward Current Max. (mA)	30	25	30
Peak Wavelength (nm)	625	565	590
Viewing Angle 2θ 1/2 (degrees)	60	60	60
Power Dissipation (mW)	105	105	105
Capacitance @ $V=0$ (mW/IC)	12	45	10

147 Central Avenue
Hackensack, NJ 07601
Phone: (201) 489-8989
Fax: (201) 489-6911

18703 Dix Toledo Road
Brownstown, MI 48193

Saret Zone Franca, Edificio B
Alajuela Costa Rica

E-mail: sales@chml.com • Web Site: www.chml.com

Chicago Miniature Lighting, LLC reserves the right to make specification revisions that enhance the design and/or performance of the product