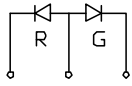
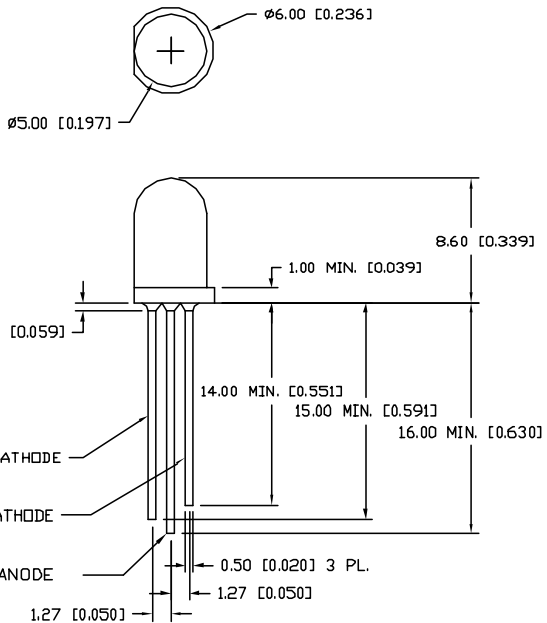


DATE	REVISIONS	REV

DRAWING NUMBER	REV
SSL-LX5097IGW-CA	



ELECTRO-OPTICAL CHARACTERISTICS $T_a = 25^\circ\text{C}$ $I_f = 20\text{mA}$

PARAMETER	MIN	TYP	MAX	UNITS	TEST COND
PEAK WAVELENGTH		635 (RED) 565 (GREEN)		nm	
FORWARD VOLTAGE (R/G)		2.1	2.8	V_f	
REVERSE VOLTAGE	5.0			V_r	$I_r = 100 \mu\text{A}$
AXIAL INTENSITY (R/G)		20		mcd	$I_f = 20\text{mA}$
VIEWING ANGLE		60		$2 \times \theta$	
EMITTED COLOR	RED/GREEN				
EPOXY LENS FINISH	MILKY WHITE DIFFUSED				

LIMITS OF SAFE OPERATION AT 25°C

PARAMETER	MAX	UNITS
PEAK FORWARD CURRENT*(R/G)	160	mA
STEADY CURRENT (R/G)	3D/25	mA
POWER DISSIPATION (R/G)	100	mW
DERATE FROM 25°C	-1.2	$\text{mW}/^\circ\text{C}$
OPERATING, STORAGE TEMP	-40 TO +85	$^\circ\text{C}$
LEAD SOLDERING TEMP	+260	$^\circ\text{C}$
2.0mm FROM BODY		3 SEC. MAX

* $t < 10\mu\text{s}$

RELIABILITY NOTE

OUR MANY YEARS OF EXPERIENCE DATA ACCUMULATION INDICATE THAT SOLDER HEAT IS A MAJOR CAUSE OF EARLY AND FUTURE FAILURE. PLEASE PAY ATTENTION TO YOUR SOLDERING PROCESS.



292 E. HELLEN ROAD
PALATINE, ILLINOIS 60067
(708) 359-2790

CONFIDENTIAL INFORMATION
THE INFORMATION CONTAINED IN THIS DOCUMENT IS THE PROPERTY OF LUMEX OPTO/COMPONENTS, INC. EXCEPT AS SPECIFICALLY AUTHORIZED IN WRITING BY LUMEX OPTO/COMPONENTS, INC., THE HOLDER OF THIS DOCUMENT SHALL KEEP ALL INFORMATION CONTAINED HEREIN CONFIDENTIAL AND SHALL PROTECT SAME IN WHOLE OR IN PART FROM DISCLOSURE AND DISSEMINATION TO ALL THIRD PARTIES.

DATE: 4-28-96	DWN:	CHK'D:	APPD:
SCALE: N/A			

T-5 (T-1 3/4) LED, BICOLOR RED/GREEN,
MILKY WHITE DIFFUSED, .05" LEAD CENTERS, COMMON ANODE

PAGE 1 OF 1	DRAWING NUMBER SSL-LX5097IGW-CA	REV
-------------	------------------------------------	-----

14/95