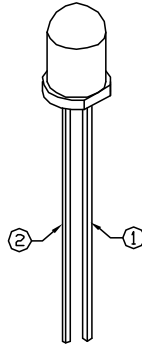
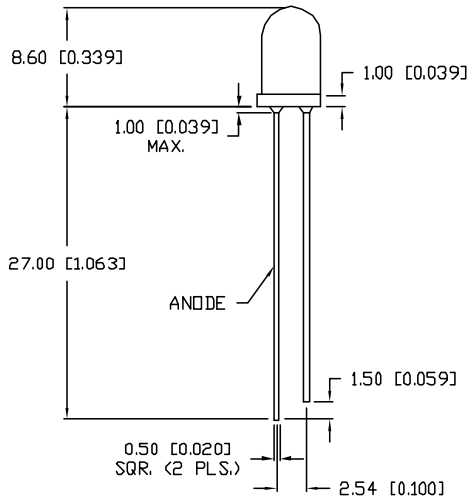
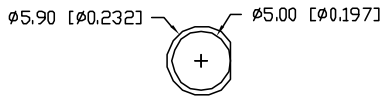


UNCONTROLLED DOCUMENT



NOTES:

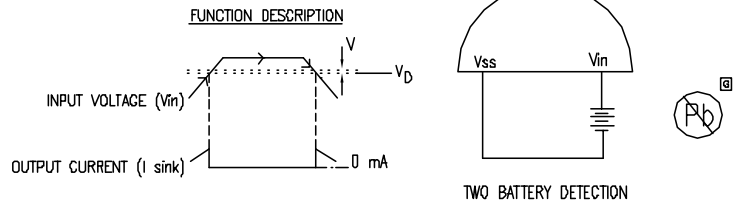
1. Vss.
2. Vin.

PART NUMBER		REV.
SSL-LX5093LBI-SRD		G
REV.	E.C.N. NUMBER AND REVISION COMMENTS	DATE
A	E.C.N. #10115./	1-24-96
B	E.C.N. #10132./	3-12-96
C	REDRAWN.	10-10-97
D	E.C.N. #10470./	10-23-98
E	E.C.N. #10538.	7-20-99
F	E.C.N. #10BRDR. & REDRAWN IN 3D.	5.25.01
G	E.C.N. #11148	10.23.06

ELECTRO-OPTICAL CHARACTERISTICS $T_A=25^{\circ}\text{C}$ $V_{in}=3.0\text{V}$

PARAMETER	MIN	TYP	MAX	UNITS	TEST COND
PEAK WAVELENGTH		660 (RED)		nm	$I_f=6.5\text{mA}$
INPUT VOLTAGE (V_{in})		3.0		V	
DETECTION VOLTAGE (V_d)	2.35	2.5	2.65	V	
AXIAL INTENSITY	3.0			mcd	$I_f=6.5\text{mA}$
STANDBY CURRENT (I_{in})		5.0	10.0	μA	$V_{in}=3.0\text{V}$
HYSTERESIS VOLTAGE (V_{hyst})		100		mV	
OUTPUT SINK CURRENT (I_{sink})	6.0	6.5		mA	$V_{in}=2.3\text{V}$
VIEWING ANGLE		60		$2x$ theta	
OPERATING TEMPERATURE		0 TO +85		$^{\circ}\text{C}$	
STORAGE TEMPERATURE		-40 TO +100		$^{\circ}\text{C}$	
EMITTED COLOR:	SUPER RED				
EPOXY LENS FINISH:	RED DIFFUSED				

EXTERNAL PARTS CONNECTION



*UNLESS OTHERWISE SPECIFIED TOLERANCES PER DECIMAL PRECISION ARE: X=#1 (± 0.039), XI=#0.5 (± 0.020), XIX=#0.25 (± 0.010), XXX=#0.127 (± 0.005). LEAD SIZE=#0.05 (± 0.002), LEAD LENGTH=#0.75 (± 0.030). MIN=+DECIMAL PRECISION -0.00 MAX.=+0.00 -DECIMAL PRECISION

UNCONTROLLED DOCUMENT

REV. G	PART NUMBER SSL-LX5093LBI-SRD	<p>CONFIDENTIAL INFORMATION THE INFORMATION CONTAINED IN THIS DOCUMENT IS THE PROPERTY OF LUMEX INC. EXCEPT AS SPECIFICALLY AUTHORIZED IN WRITING BY LUMEX INC., THE HOLDER OF THIS DOCUMENT SHALL KEEP ALL INFORMATION CONTAINED HEREIN CONFIDENTIAL AND SHALL PROTECT SAME IN WHOLE OR IN PART FROM DISCLOSURE AND DISSEMINATION TO ALL THIRD PARTIES.</p> <p>RELIABILITY NOTE OUR MANY YEARS OF EXPERIENCE DATA ACCUMULATION INDICATE THAT SOLDER HEAT IS A MAJOR CAUSE OF EARLY AND FUTURE FAILURE. PLEASE PAY ATTENTION TO YOUR SOLDERING PROCESS.</p>	<p>290 E. HELEN ROAD PALATINE, IL 60067-6976 PHONE: +1.847.359.2790 US WEB: www.lumex.com TW WEB: www.lumex.com.tw</p>	<p>DRAWN BY: JC</p> <p>CHECKED BY:</p> <p>APPROVED BY:</p> <p>DATE: 10.23.06 PAGE: 1 OF 1 SCALE: N/A</p>
-----------	----------------------------------	---	--	--

T-5mm (T-1 3/4) LOW BATTERY INDICATOR,
660nm SUPER RED LED, RED DIFFUSED LENS.