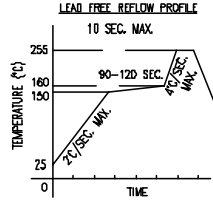
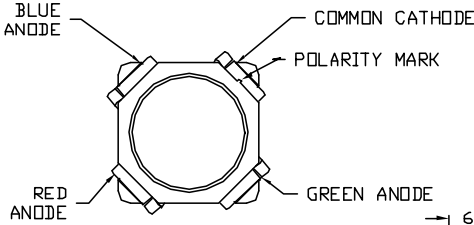


UNCONTROLLED DOCUMENT

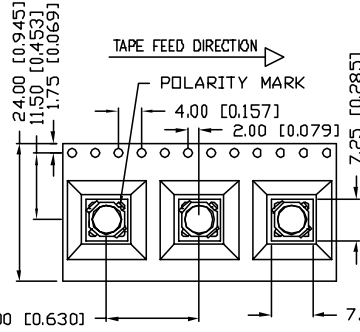
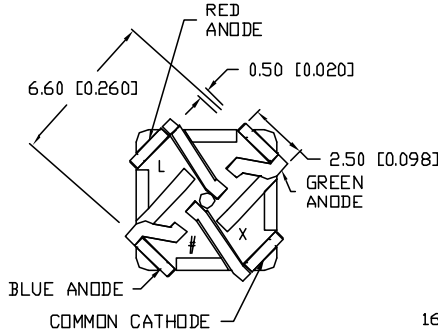
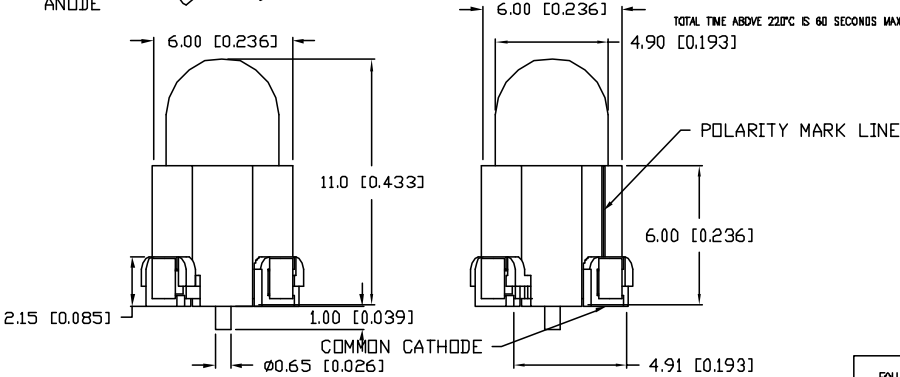
PART NUMBER

REV.

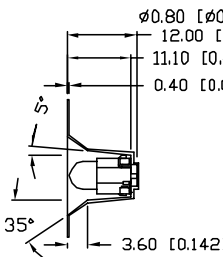
SML-H1505SIUGUBWTR



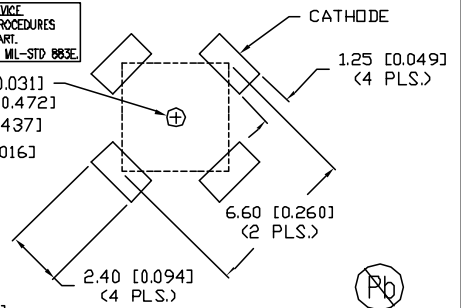
TOTAL TIME ABOVE 220°C IS 60 SECONDS MAX.



CAUTION: STATIC SENSITIVE DEVICE
FOLLOW PROPER E.S.D. HANDLING PROCEDURES
WHEN WORKING WITH THIS PART.
ESD CLASSIFICATION: CLASS II BASED ON MIL-STD 883C



RECOMMENDED PAD LAYOUT



ELECTRO-OPTICAL CHARACTERISTICS TA=25°C If=20mA

PARAMETER	MIN	TYP	MAX	UNITS	TEST COND
PEAK WAVELENGTH	635 (RED)			nm	
	465 (BLUE)			nm	
	520 (GREEN)			nm	
FORWARD VOLTAGE (R)	2.2	2.7		Vf	
	(B)	3.4	4.0	Vf	
	(G)	3.4	4.0	Vf	
REVERSE VOLTAGE	5.0			Vr	If=100µA
AXIAL INTENSITY (R/B/G)	1100/600/2200			mcd	If=20mA
VIEWING ANGLE	60			2x theta	
EMITTED COLOR:	RED/BLUE/GREEN				
EPOXY LENS FINISH:	MILKY WHITE DIFFUSED.				

LIMITS OF SAFE OPERATION AT 25°C PER DIE.

PARAMETER	COLORS	MAX	UNITS
PEAK FORWARD CURRENT*	R/B/G	100	mA
STEADY CURRENT	R/B/G	30/20/20	mA
POWER DISSIPATION	R/B/G	95/80/80	mW
DERATE FROM 25°C		-1.2	mW/°C
OPERATING TEMP.		-30 TO +80	°C
STORAGE TEMP.		-40 TO +100	°C

*T<10µs

*UNLESS OTHERWISE SPECIFIED TOLERANCES PER DECIMAL PRECISION ARE: X=±1 (±0.039), XX=±0.5 (±0.020), XXX=±0.25 (±0.010), XXXX=±0.127 (±0.005). LEAD SIZE=±0.05 (±0.002), LEAD LENGTH=±0.75 (±0.030), MIN.=^{+0.00} DECIMAL PRECISION MAX.=^{+0.00} DECIMAL PRECISION

UNCONTROLLED DOCUMENT

REV. PART NUMBER
SML-H1505SIUGUBWTR

CONFIDENTIAL INFORMATION
THE INFORMATION CONTAINED IN THIS DOCUMENT IS THE PROPERTY OF LUMEX INC. EXCEPT AS SPECIFICALLY AUTHORIZED IN WRITING BY LUMEX INC., THE HOLDER OF THIS DOCUMENT SHALL KEEP ALL INFORMATION CONTAINED HEREIN CONFIDENTIAL AND SHALL PROTECT SAME IN WHOLE OR IN PART FROM DISCLOSURE AND DISSEMINATION TO ALL THIRD PARTIES.



290 E. HELEN ROAD
PALATINE, IL 60067-6976
PHONE: +1.847.359.2790
US WEB: www.lumex.com
TW WEB: www.lumex.com.tw

RELIABILITY NOTE
OUR MANY YEARS OF EXPERIENCE DATA ACCUMULATION INDICATE THAT SOLDER HEAT IS A MAJOR CAUSE OF EARLY AND FUTURE FAILURE. PLEASE PAY ATTENTION TO YOUR SOLDERING PROCESS.

DRAWN BY: JUN
CHECKED BY:
APPROVED BY:
DATE: 03.31.08
PAGE: 1 OF 1
SCALE: N/A

5mm SURFACE MOUNT DOMED LED,
RED/BLUE/GREEN, MILKY WHITE DIFFUSED.