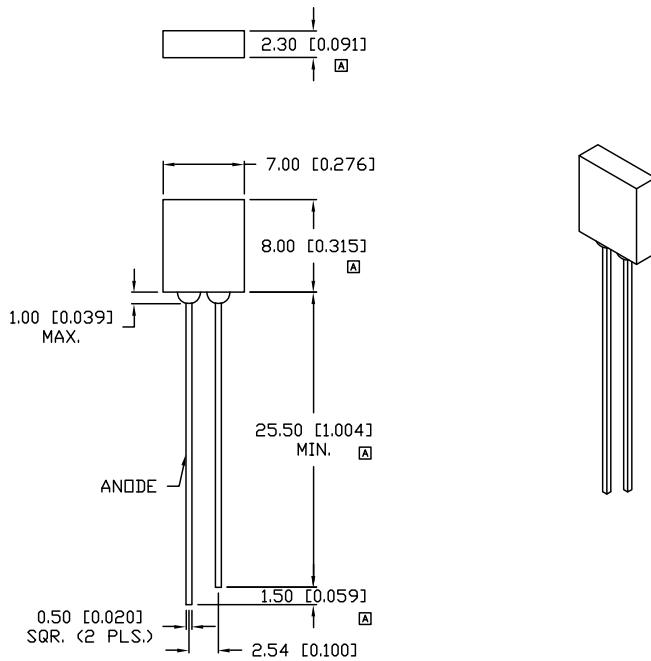


UNCONTROLLED DOCUMENT

| | | |
|---------------|-------------------------------------|---------|
| PART NUMBER | | REV. |
| SSL-LX25783YD | | A |
| REV. | E.C.N. NUMBER AND REVISION COMMENTS | DATE |
| A | E.C.N. #10702. | 1.10.01 |



ELECTRO-OPTICAL CHARACTERISTICS $T_A=25^{\circ}\text{C}$ $I_f=20\text{mA}$

| PARAMETER | MIN | TYP | MAX | UNITS | TEST COND |
|--------------------|-----------------|-----|-----|------------|----------------------|
| PEAK WAVELENGTH | | 585 | | nm | |
| FORWARD VOLTAGE | | 2.1 | 2.8 | V_f | |
| REVERSE VOLTAGE | 5.0 | | | V_r | $I_r=100\mu\text{A}$ |
| AXIAL INTENSITY | | 4 | | mcd | $I_f=20\text{mA}$ |
| VIEWING ANGLE | | 110 | | $2x$ theta | |
| EMITTED COLOR: | YELLOW | | | | |
| EPOXY LENS FINISH: | YELLOW DIFFUSED | | | | |

LIMITS OF SAFE OPERATION AT 25°C

| PARAMETER | MAX | UNITS |
|----------------------------------|-------------|------------------------|
| PEAK FORWARD CURRENT* | 155 | mA |
| STEADY CURRENT | 30 | mA |
| POWER DISSIPATION | 110 | mW |
| DERATE FROM 25°C | -1.2 | mW/ $^{\circ}\text{C}$ |
| OPERATING, STORAGE TEMP. | -55 TO +100 | $^{\circ}\text{C}$ |
| SOLDERING TEMP. | +260 | $^{\circ}\text{C}$ |
| 1.6mm FROM BODY | | 5 SEC. MAX |

* $t < 10\mu\text{s}$

*UNLESS OTHERWISE SPECIFIED TOLERANCES PER DECIMAL PRECISION ARE: X=±1 (±0.039), X.X=±0.5 (±0.020), X.XX=±0.25 (±0.010), X.XXX=±0.127 (±0.005). LEAD SIZE=±0.05 (±0.002), LEAD LENGTH=±0.75 (±0.030), MIN= -0.00 DECIMAL PRECISION MAX= +0.00 -DECIMAL PRECISION

UNCONTROLLED DOCUMENT

| | | | |
|---|------------------------------|---|--|
| REV. A | PART NUMBER SSL-LX25783YD | <p>CONFIDENTIAL INFORMATION</p> <p>THE INFORMATION CONTAINED IN THIS DOCUMENT IS THE PROPERTY OF LUMEX INC. EXCEPT AS SPECIFICALLY AUTHORIZED IN WRITING BY LUMEX INC., THE HOLDER OF THIS DOCUMENT SHALL KEEP ALL INFORMATION CONTAINED HEREIN CONFIDENTIAL AND SHALL PROTECT SAME IN WHOLE OR IN PART FROM DISCLOSURE AND DISSEMINATION TO ALL THIRD PARTIES.</p> <p>RELIABILITY NOTE</p> <p>OUR MANY YEARS OF EXPERIENCE DATA ACCUMULATION INDICATE THAT SOLDER HEAT IS A MAJOR CAUSE OF EARLY AND FUTURE FAILURE. PLEASE PAY ATTENTION TO YOUR SOLDERING PROCESS.</p> | <p>290 E. HELEN ROAD PALATINE, IL 60067-6976 PHONE: +1.847.359.2790 US WEB: www.lumex.com TW WEB: www.lumex.com.tw</p> |
| 2.3mm x 8mm RECTANGULAR LED, 585nm YELLOW, YELLOW DIFFUSED LENS. | | <p>DRAWN BY: CT</p> <p>CHECKED BY:</p> <p>APPROVED BY:</p> | <p>DATE: 8.4.92</p> <p>PAGE: 1 OF 1</p> <p>SCALE: N/A</p> |