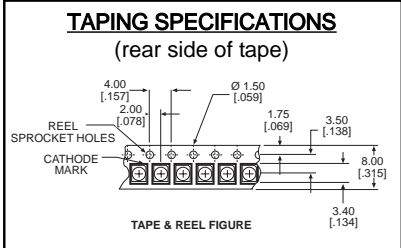
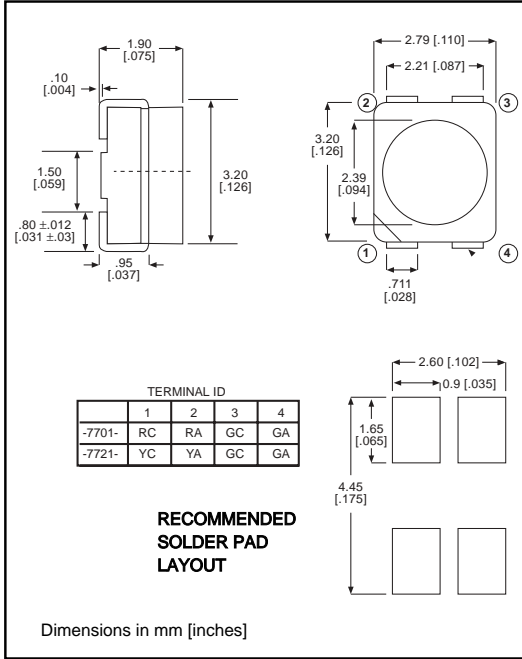


**Surface Mount LED  
Bi-Color**

**597-7701-2xx  
597-7721-2xx**

**1**



PART NO.*	COLOR
597-7701-2xx	Red/Green
597-7721-2xx	Yellow/Green

**Features**

- Compatible with automatic placement equipment
- Compatible with infrared reflow processes
- Packaged on 8mm tape, 7" reels (meets EIA-481-1 standard)
- Helps to eliminate mixed technology PC board processing
- Compatible with Dialight's Optopipe™ Series light pipes

**\*ORDERING INFORMATION**

**597-77x1-2xx**

packaging option  $\nearrow$

02	20 pieces on tape
07	7" reel, 1500 pcs/reel

<b>ABSOLUTE MAXIMUM RATINGS</b> ( $T_A=25^\circ\text{C}$ )	Red/Green	Yellow/Green
	<b>-7701</b>	<b>-7721</b>
Power Dissipation (mW)	100/100	60/100
Forward Current (mA)	30/30	20/30
Derating (mA/°C) From 50°C	.6/.6	.4/.6
Peak Current (mA)	120/120	80/100
Pulse width 10 $\mu\text{s}$		
Operating Temperature (°C)	-55/+100	-55/+100
Storage Temperature (°C)	-55/+100	-55/+100
Soldering Profile	235°C peak 15 seconds, 185° for 90 seconds	

Solder Adherence per MIL-STD-202E, Method 208C

<b>OPERATING CHARACTERISTICS</b> ( $T_A=25^\circ\text{C}$ )		Red/Green	Yellow/Green
		<b>-7701</b>	<b>-7721</b>
Luminous Intensity (mcd)	Min.	8/8	8/8
	Typical	16/16	16/16
Peak Wavelength (nm)	Typical	630/565	585/565
$\lambda$ Peak			
Viewing Angle ( $2\Theta_{1/2}$ )	Typical	120°	120°
Forward Voltage (V)	Typical	2/2.1	1.8/2.1
	Max.	2.6/2.6	2.7/2.6

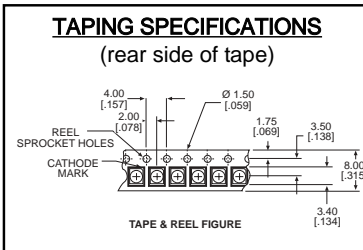
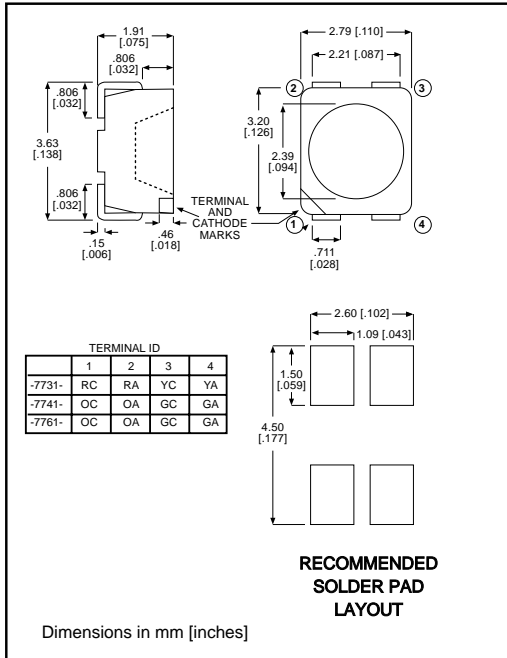
$\Theta_{1/2}$  is the off axis angle at which the luminous intensity is half the axial luminous intensity



# Surface Mount LED Bi-Color

# Dialight

597-7731-2xx  
597-7741-2xx  
597-7761-2xx



PART NO.*	COLOR
597-7731-2xx	Red/Yellow
597-7741-2xx	Orange/Green
597-7761-2xx	Orange/ Pure Green



### Features

- Compatible with automatic placement equipment
- Compatible with infrared reflow processes
- Packaged on 8mm tape, 7" reels (meets EIA-RS-481-1 standard)
- Helps to eliminate mixed technology PC board processing
- Compatible with Dialight's Optopipe™ Series light pipes

**\*ORDERING INFORMATION**

**597-77x1-2xx**

packaging option

02	20 pieces on tape
07	7" reel, 2000 pcs/reel

<b>ABSOLUTE MAXIMUM RATINGS</b> (T <sub>A</sub> =25°C)	Red/Yellow <b>-7731</b>	Orange/Green <b>-7741</b>	Orange/Pure Green <b>-7761</b>
Power Dissipation (mW)	100/100	100/100	100/100
Forward Current (mA)	30/30	30/30	30/30
Derating (mA/°C) From 55°C	.66/.66	.66/.66	.66/.66
Peak Current (mA)	500	500	500
Pulse width 10 μs			
Operating Temperature (°C)	-55/+100	-55/+100	-55/+100
Storage Temperature (°C)	-55/+100	-55/+100	-55/+100
Soldering Profile	235°C peak 15 seconds, 185° for 90 seconds		

Solder Adherence per MIL-STD-202E, Method 208C

<b>OPERATING CHARACTERISTICS</b> (T <sub>A</sub> =25°C)		Red/Yellow <b>-7731</b>	Orange/Green <b>-7741</b>	Orange/Pure Green <b>-7761</b>
Luminous Intensity (mcd)	Min.	2.5/2.5	4/4	2.5/2.5
I <sub>F</sub> =10mA	Typical	7.3/6.8	8/8	5/5
Peak Wavelength (nm)	Typical	635/586	610/565	610/557
λ Peak				
Viewing Angle (2θ ½)	Typical	120°	120°	120°
Forward Voltage (V)	Typical	2/2	2/2	2/2
I <sub>F</sub> =10mA	Max.	2.6/2.6	2.6/2.6	2.6/2.6
Reverse Voltage (V), I <sub>R</sub> =10μA	Min.	5	5	5

θ ½ is the off axis angle at which the luminous intensity is half the axial luminous intensity