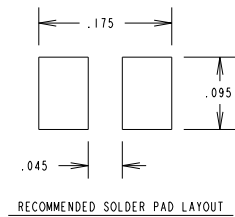
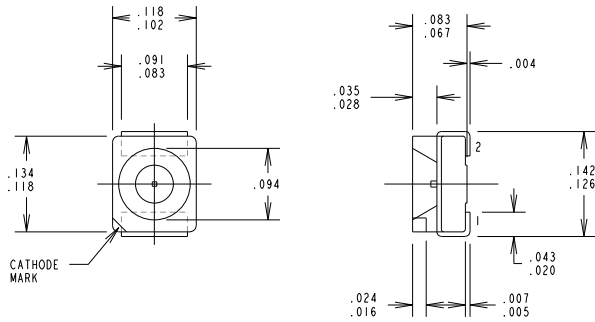
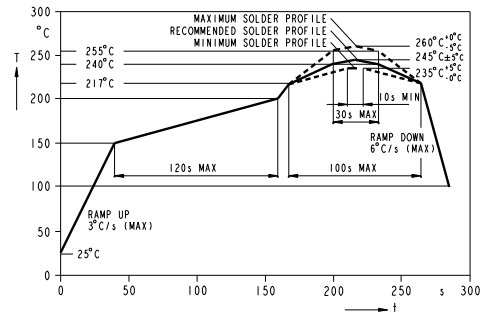


REV	ECN NO	REVISIONS	DRN	CKD	APP	DATE
A		NEW RELEASE	KLJ	MES	N. O.	6-9-09



RoHS COMPLIANT 597-3121-20XF

Part Numbers with the "F" suffix ending are RoHS Compliant.
 For example: 597-3121-20ZF
 Reel and bag packaging are marked with "RoHS Compliant" label or equivalent markings. These parts can be used with RoHS reflow profile. Parts can be wave soldered, dip soldered or hand soldered using typical lead-free soldering process with max 260°C temp. for 5 sec.



OPERATING CHARACTERISTICS AT 25°C AMBIENT

LED CHARACTERISTICS	MIN.	TYP.	MAX.	UNITS	TEST CONDITIONS
LUMINOUS INTENSITY	22.4	35.5	56	mc d	$I_F = 10 \text{ mA}$
FORWARD VOLTAGE		1.75	2.5	VOLTS	$I_F = 10 \text{ mA}$
REVERSE CURRENT		0.01	10	μA	$V_R = 12\text{V}$
PEAK WAVELENGTH		660		nm	$I_F = 10 \text{ mA}$
DOMINANT WAVELENGTH	633	645	655	nm	$I_F = 10 \text{ mA}$
2 X HALF-INTENSITY ANGLE		120		DEGREES	$I_F = 10 \text{ mA}$

ABSOLUTE MAXIMUM RATINGS AT 25°C AMBIENT

POWER DISSIPATION	90 mW
DERATE LINEARLY FROM 60°C	.75 mW/°C
CONTINUOUS FORWARD CURRENT	30 mA
PEAK PULSE CURRENT, 10 μs PULSE	0.5 A
REVERSE VOLTAGE	12 V
SOLDERING PROFILE: SEE REFLOW PROFILE FOR LEAD FREE SOLDERING	
OPERATING TEMPERATURE	-40°C TO +100°C
STORAGE TEMPERATURE	-40°C TO +100°C

NOTES:

- EPOXY COLOR: WATER CLEAR
- DIE: AlGaAs
- PIN NUMBERS FOR REFERENCE ONLY. DESIGNATION NON-EXISTENT ON PART.
- SUFFIX -20ZF FOR 20 pcs ON A SAMPLE STRIP.
- SUFFIX -20TF FOR 20160mm REEL, 8mm WIDE TAPE, PACKAGED 2000 pcs PER REEL WITH A PITCH OF 4mm.
- DEVICES POSITIONED ON REEL WITH CATHODE SIDE TOWARDS SPROCKET.
- TAPE AND REEL LEDS MAY REQUIRE RE-TAPING AFTER TWELVE MONTHS.
- DIALIGHT PART NUMBERS: 597-3121-20ZF, 597-3121-20TF
- THIS ASSEMBLY CONTAINS ELECTROSTATIC DISCHARGE SENSITIVE DEVICES (ESDS). MAINTAIN ALL PRECAUTIONARY MEASURES DURING ASSEMBLY, HANDLING, AND STORAGE IN ACCORDANCE WITH IPC-A-610.



ATTENTION:
OBSERVE PRECAUTIONS FOR
HANDLING ELECTROSTATIC
SENSITIVE DEVICES

THIS DRAWING AND THE CONTENTS HEREIN ARE CONFIDENTIAL AND THE SOLE PROPERTY OF DIALIGHT. REPRODUCTION OF THIS DRAWING OR CONSTRUCTION OF ANY PARTS WITHIN THIS DRAWING ARE FORBIDDEN WITHOUT THE WRITTEN CONSENT OF DIALIGHT.

SCALE: DRAWING SCALE ALL DIM'S IN: INCHES	DRAWING NUMBER C-17644	REV A
TOLERANCES: UNLESS OTHERWISE SPECIFIED FRACTIONS: $\pm 1/64$ DECIMALS (.XX): $\pm .02$ DECIMALS (.XXX): $\pm .015$	TITLE SURFACE MOUNT H.E. RED LED RoHS COMPLIANT	MATERIAL
ANGLES: $\pm 1^\circ$	FINISH	Dialight 1501 ROUTE 34 SOUTH FARMINGDALE, NJ 07727
FSCM 83330	SHEET 1 OF 1	FAMILY TABLE: