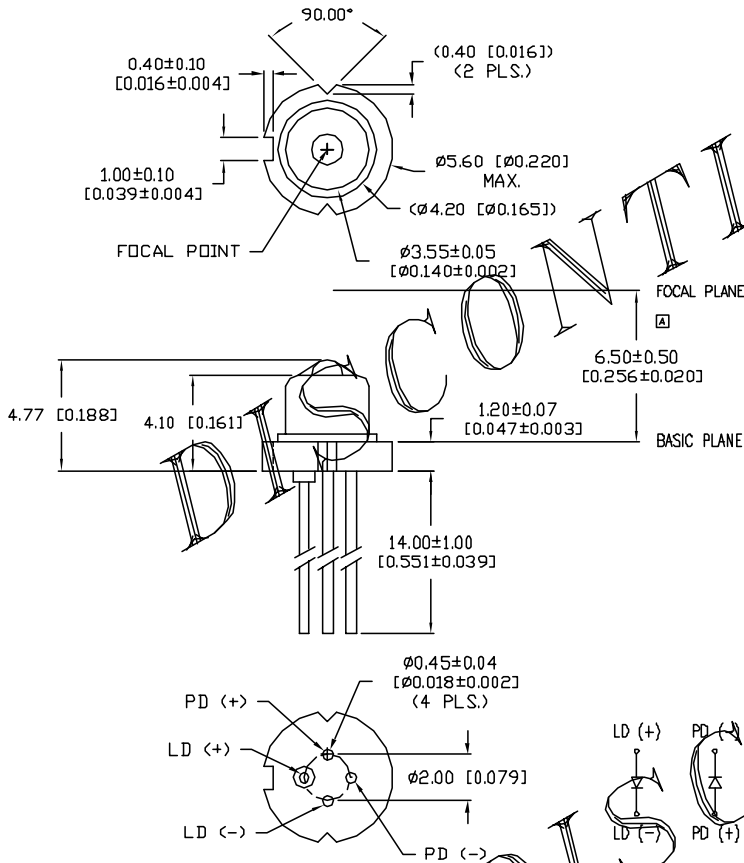


UNCONTROLLED DOCUMENT

PART NUMBER		REV.
OED-LDC15001EB		A
REV.	E.C.N. NUMBER AND REVISION COMMENTS	DATE
	E.C.N. #10542.	8-6-99



ELECTRO-OPTICAL CHARACTERISTICS (Tc=25°C, Po=5mW)

PARAMETER	SYMBOL	MIN	TYP	MAX	TEST COND	UNITS
PEAK WAVELENGTH	λ	1520	1550	1580	CW	nm
SPECTRAL WIDTH	$\Delta\lambda$		2	5	CW	nm
FORWARD VOLTAGE	Vf		1.2	1.5	CW	V
THRESHOLD CURRENT	Ith		8	20		mA
PD MONITOR CURRENT	Ipm	100		600	CW	µA
PD DARK CURRENT	I(DARK)			0.1	Vr(PD)=-5v	µA
PD CAPACITANCE	Ct	6		15	Vr(PD)=-5v, f=1MHz	pF
RISE TIME	Tr			0.5	CW, Ith=Ith	ns
FALL TIME	Tf			0.5	0-90°	ns
SLOPE EFFICIENCY		0.12	0.15			mW/mA
BEAM DIVERGENCE:	θ		20		CW	deg.
	θ_L		40		WHM	deg.

ABSOLUTE MAXIMUM RATINGS (Tc=25°C)

PARAMETER	SYMBOL	MAX	UNITS
OPTICAL POWER	Pa	5(CW)	mW
LD REVERSE VOLTAGE	Vr(Ld)	2	V
PD REVERSE VOLTAGE	Vr(PD)	10	V
PD FORWARD CURRENT	Ir(PD)	1.0	mA
OPERATING TEMP.	Top	-40 TO +85	°C
STORAGE TEMP.	Tstg	-40 TO +85	°C

WARNING
INVISIBLE LASER RADIATION,
AVOID DIRECT EXPOSURE TO BEAM.

CAUTION: STATIC SENSITIVE DEVICE
FOLLOW PROPER E.S.D. HANDLING PROCEDURES
WHEN WORKING WITH THIS PART.

UNCONTROLLED DOCUMENT

*UNLESS OTHERWISE SPECIFIED TOLERANCE IS ±0.25mm (±0.010")

REV. A	PART NUMBER OED-LDC15001EB	<p>CONFIDENTIAL INFORMATION THE INFORMATION CONTAINED IN THIS DOCUMENT IS THE PROPERTY OF LUMEX INC. EXCEPT AS SPECIFICALLY AUTHORIZED IN WRITING BY LUMEX INC., THE HOLDER OF THIS DOCUMENT SHALL KEEP ALL INFORMATION CONTAINED HEREIN CONFIDENTIAL AND SHALL PROTECT SAME IN WHOLE OR IN PART FROM DISCLOSURE AND DISSEMINATION TO ALL THIRD PARTIES.</p> <p>RELIABILITY NOTE OUR MANY YEARS OF EXPERIENCE DATA ACCUMULATION INDICATE THAT SOLDER HEAT IS A MAJOR CAUSE OF EARLY AND FUTURE FAILURE. PLEASE PAY ATTENTION TO YOUR SOLDERING PROCESS.</p>	<p>LUMEX INCORPORATED</p> <p>290 E. HELLEN ROAD PALATINE, ILLINOIS 60067 PHONE: 1-847-359-2790 WEB: HTTP://WWW.LUMEX.COM</p>		
1550nm LASER DIODE, TO-18 (ø5.6mm) PACKAGE, 5mW OUTPUT.		DRAWN BY: DU	CHECKED BY:	APPROVED BY:	DATE: 5-18-99
					PAGE: 1 OF 1
					SCALE: N/A