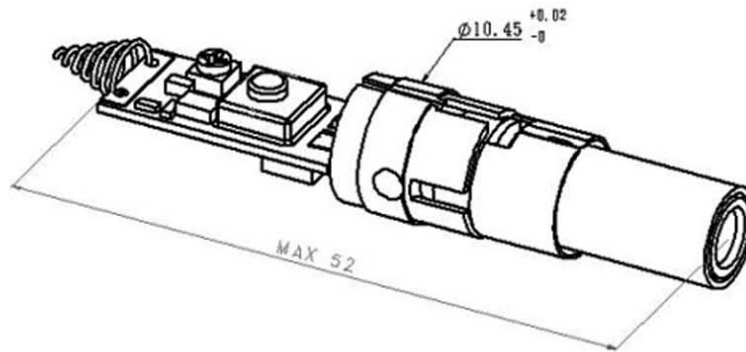


VLM-532-42 SCA**OUTLINE DIMENSIONS (UNITS: mm)**

1. Miniature highlight green laser module for laser pointer applications.
2. Compact size for general applications.
3. The brass housing for better heat dispersion.
4. Multiple glass lenses included for high quality laser focus.
5. High electric stability laser driver included.

SPECIFICATIONS	532-42 LCA
Operating voltage (Vop)	2.7 ~ 3.3V
Operating current (Iop)	200 ~ 300 mA
Cw output power (Po)	Class IIIa, CW mode
Output power stability	< 10% @ 25°C after 10 minutes warm up
Wavelength (λ p)	532nm
Power source	Alkaline battery (Not included)
Housing	Brass
Spot size (φ)	< 5mm @ 3m
Mean time to failure (MTTF)	> 4000 hrs
Operating temp. range	+20°C ~ +30°C