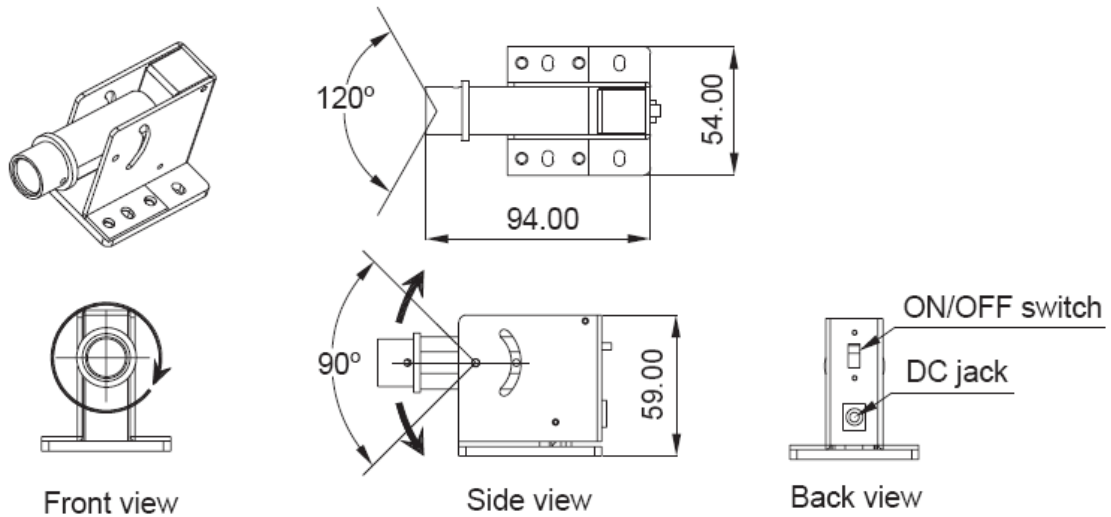


Quarton Laser Module

Part #VLM-ML100 (LINE GENERATOR)

Mechanical Dimensions (UNITS: mm)



SPECIFICATIONS:	VLM-ML100 (LINE GENERATOR)
Collimating Lens	Aspherical plastic
Cylindric lens	Quartz rod lens
Cw Output Power (Po)	≅1mW
Emitting angle	>120°
ESD Protection	15 KV
Laser Class / Applicable Countries	Class 2 / Europe, Japan, USA
Mean time to failure (MTTF) 3mW 25°	5,000 Hours
Operating Current (Iop)	40±15 mA
Operating Voltage (Vop)	3.5~6V
Power Connection	Wire leads (2)
Laser line width	≅2mm at 4m
Laser line accuracy	<0.01° (40") at 4m
Dimensions(L x W x H)	94 x 54 x 59
Temperature Range - Operating	+5°C thru +40°C
Temperature Range - Storage	-20°C thru +60°C
Wavelength at peak emission (λp)	630~645nm
RoHS Compliant	Yes