



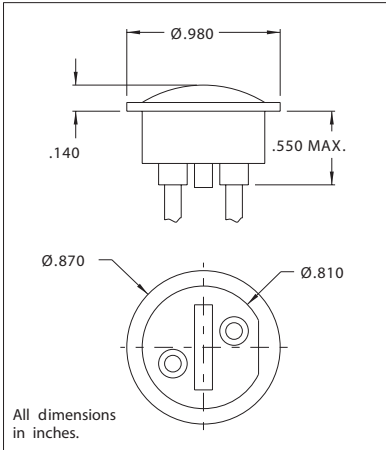
# Chicago Miniature Lighting, LLC

*Lighting the world since 1910*

2620K and 2622K Series  
Non-Relampable Neon Indicator Light

## 2620K and 2622K Series Non-Relampable Neon Indicator Light

### DESCRIPTION AND FEATURES



Mounting: Supplied with speednut SN2089.  
Mounting hole pattern on page SP2.

Wire Leads: No.22 AWG (105°C),  
4.40/4.80 long, stripped .430/.570

Lens: Polycarbonate

Bezel: White nylon.  
For black finish add "X" after the  
series letter(s).

Housing: White Nylon

Lens Color	Neon
	Model No. (105-125VAC) Wire Leads
Red	2620K1
Amber	2620K3
White	2620K3
Green	2622K5*
Lamp used	C2A+Resistor

\*Incorporates G2B lamp and resistor  
Underwriters Laboratories (UL) File No. E20325  
Canadian Standards Association (CSA) File No. LR13346

147 Central Avenue  
Hackensack, NJ 07601  
Phone: (201) 489-8989  
Fax: (201) 489-6911

18703 Dix Toledo Road  
Brownstown, MI 48193

Saret Zone Franca, Edificio B  
Alajuela Costa Rica

E-mail:sales@chml.com • Web Site: www.chml.com

Chicago Miniature Lighting, LLC reserves the right to make specification revisions that enhance the design and/or performance of the product