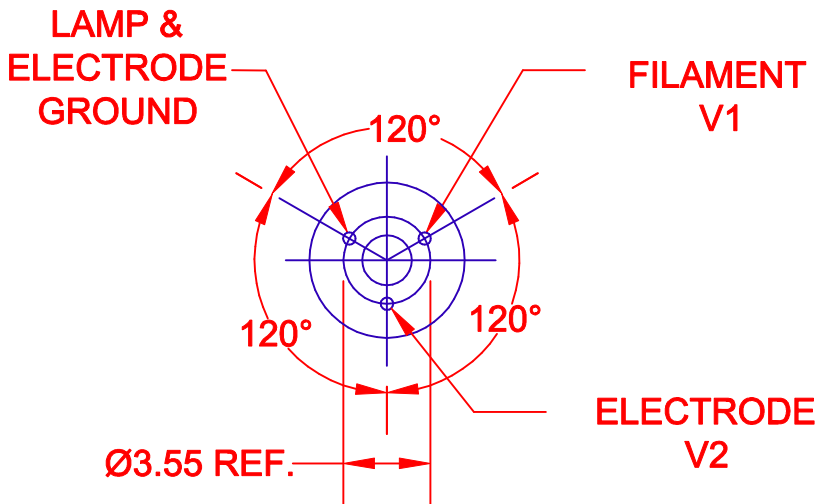


**V1 FILAMENT:**  
 5.2-5.5 VDC  
**FILAMENT CURRENT:**  
 45 +/- 10 mA DC  
**V2 ELECTRODE SOURCE:**  
 24-26 VDC TYP.  
**ELECTRODE CURRENT:**  
 14 +/- 3.0 mA DC  
**BALLAST RESISTOR:**  
 1K TYP.  
**ELECTRODE RUNNING VOLTAGE:**  
 10 +/- 3.0 V DC  
**TOTAL LAMP WATTAGE:**  
 .40 TYP.  
**INTENSITY**  
 .1mW/Cm2 @ 365nm  
**LIFE HOURS:**  
 \*15,000



\*TO 50% OUTPUT INTENSITY

**JKL PART NO.: BGF717-UV1**

		<b>METRIC</b>  THIRD ANGLE PROJECTION		DIMENSIONS ARE IN MILLIMETERS TOLERANCE UNLESS OTHERWISE SPECIFIED 1 PL +/- 0.2 2 PL +/- 0.20 ANGLE +/- 0		<b>JKL COMPONENTS CORPORATION</b>			
		DRAWN BY L. WENGSTROM		APPVD BY DATE F.D. 5/9/01		SIZE <b>A</b>	FSCM NO. <b>55335</b>	DRAWING NO. <b>BGF717-UV1</b>	
RELEASED AND CANCEL P-9911-03		5/9/01		- CAD DRAWING - MANUAL REVISIONS NOT PERMITTED		SCALE NONE	RELEASED DATE 5/9/01	REVISION DATE	REV. NO. 1 OF 1
REV. NO.	DESCRIPTION/ECO NUMBER	APPVD DATE							