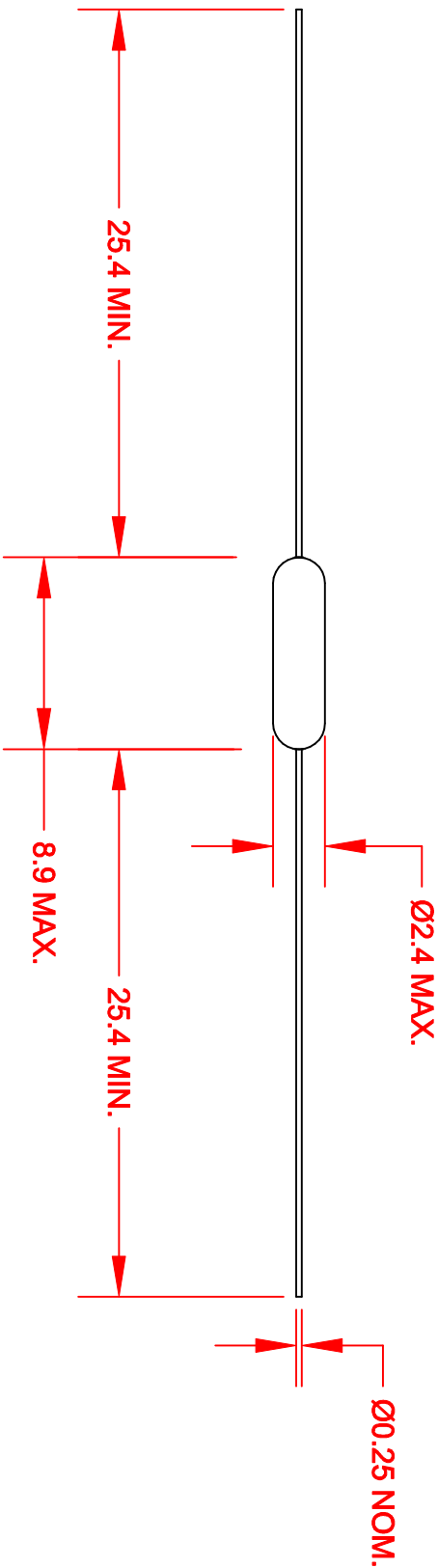


REV.	DESCRIPTION/ECO NO.	DATE
	RELEASED AND CANCEL.	10/1/1/00
	7156, 6805	



JKL LAMP NUMBER	VOLTS RATED	AMPS ±10%	MSCP ±25%	LUMENS ±25%	AVERAGE LIFE HRS.	FILAMENT TYPE
6835	5.0	.060	.050	0.63	100,000	C-8
7135	5.0	.075	.090	1.13	25,000	C-8
7155	5.0	.115	.150	1.89	40,000	C-8

METRIC THIRD ANGLE PROJECTION		DIMENSIONS ARE IN MILLIMETERS TOLERANCE UNLESS OTHERWISE SPECIFIED 1 PL. +/- 0.2 2 PL. +/- 0.20 ANGLE +/- 0	
DRAWN BY L. WENGSTROM	APP'D BY Q.C.	DATE 10/1/1/00	
JKL COMPONENTS CORPORATION			
TITLE T-3/4 STANDARD AXIAL LEAD LAMP			
SCALE A	FIGM NO. 55335	DRAWING NO. AXIAL STANDARD T-3/4	
NONE	RELEASED DATE 10/1/1/00	REVISION DATE 	REV. NO. 1
- CAD DRAWING - MANUAL REVISIONS NOT PERMITTED	SHEET 1 OF 1		