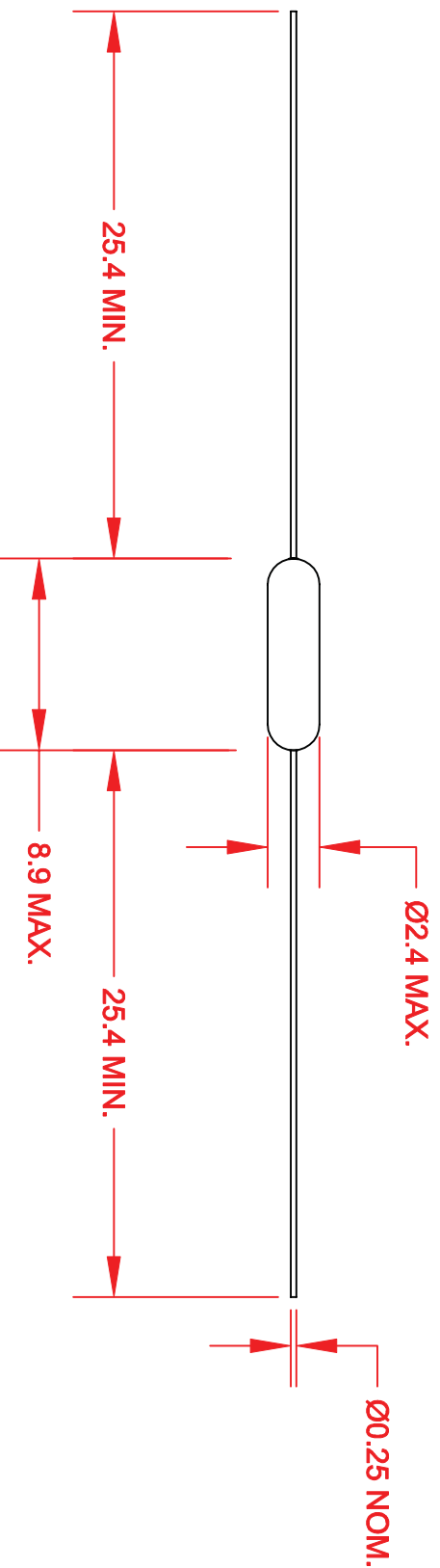


REV.	DESCRIPTION/ECO NO.	DATE
	RELEASED AND CANCEL.	10/1/1/00
	7156, 6805	



JKL LAMP NUMBER	VOLTS RATED	AMPS $\pm 10\%$	MSCP $\pm 25\%$	LUMENS $\pm 25\%$	AVERAGE LIFE HRS.	FILAMENT TYPE
6835	5.0	.060	.050	0.63	100,000	C-8
7135	5.0	.075	.090	1.13	25,000	C-8
7155	5.0	.115	.150	1.89	40,000	C-8

<b>METRIC</b> THIRD ANGLE PROJECTION		DIMENSIONS ARE IN MILLIMETERS TOLERANCE UNLESS OTHERWISE SPECIFIED 1 PL. +/- .02 2 PL. +/- .020 ANGLE +/- 0	
DRAWN BY <b>L. WENGSTROM</b>	APP'D BY <b>Q.C.</b>	DATE <b>10/1/1/00</b>	<b>JKL COMPONENTS CORPORATION</b>
TITLE <b>T-3/4 STANDARD AXIAL LEAD LAMP</b>		SIZE <b>A</b>	FCGM NO. <b>55335</b>
SCALE <b>NONE</b>		DRAWING NO. <b>AXIAL STANDARD T-3/4</b>	RELEASED DATE <b>10/1/1/00</b>
- CAD DRAWING - MANUAL REVISIONS NOT PERMITTED		REVISION DATE	REV. NO.
			SHEET <b>1 OF 1</b>