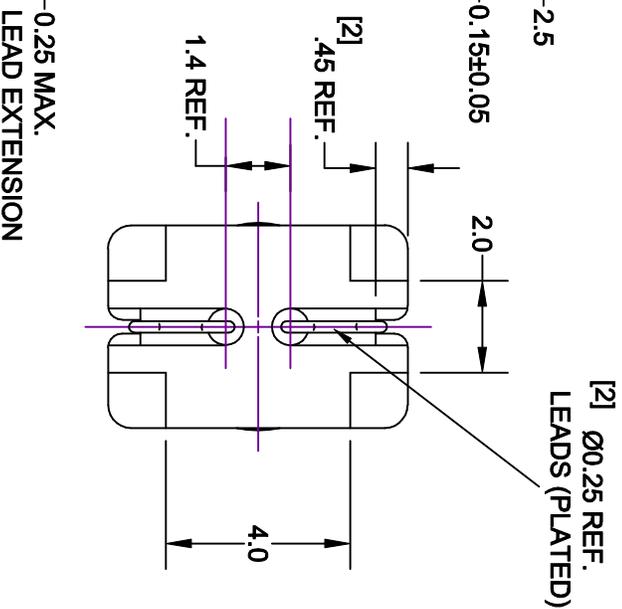
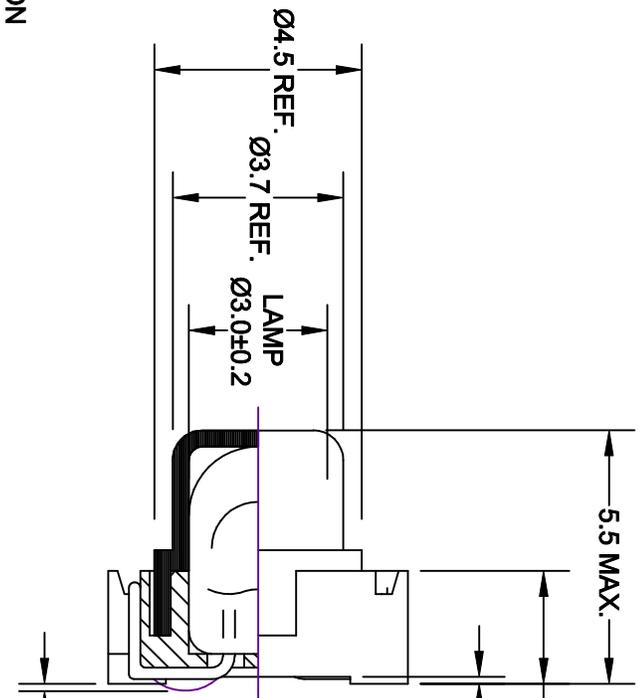
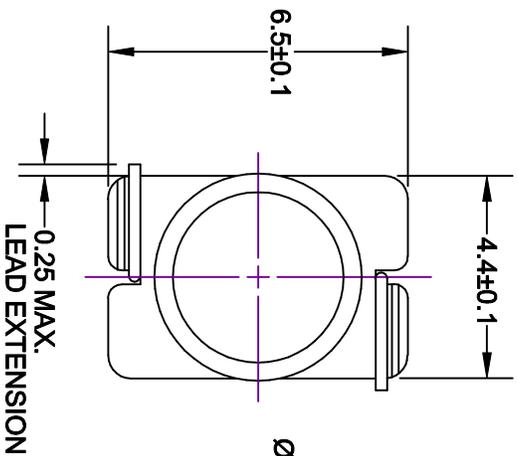


RECOMMENDED DIMENSIONS
FOR PC-BOARD PAD

REV.	DESCRIPTION/ECO NO.	DATE
	RELEASED - was P-9911-14-5 and	11/23/99
	FILTER 39-26-525	
A	CHANGE LEAD CUTAWAY PROFILE	11/29/99
B	ADD NOTE & DIM CHNGS.	1/25/00
C	DELETE NOTE	11/28/00



LAMP NUMBER: 7152				
VOLTS RATED	AMPS ± 10%	*MSCP ± 25%	*LUMENS ± 25%	AVERAGE LIFE HRS. 20,000**
5.0	.115	.150	1.89	C-2R

*LAMP RATING ONLY WITHOUT BASE AND FILTER

**DERIVED FROM ACCELERATED TESTING.

FILTER NUMBER: 39-26-5A	
COLOR REF.	COORDINATES
BLUE BUICK	X = 0.2393 ± .025 Y = 0.4440 ± .025

JKL PART NUMBER: CSD4-7152/39-26-5A

<p>THIRD ANGLE PROJECTION</p>	<p>METRIC DIMENSIONS ARE IN MILLIMETERS TOLERANCE UNLESS OTHERWISE SPECIFIED</p> <p>1 PL +/- 0.2 2 PL +/- 0.20 ANGLE +/- 0</p>	<p>DRAWN BY L. WENGSTROM</p>	<p>APP'D BY JK</p>	<p>DATE 11/28/00</p>
		<p>SCALE NONE</p>	<p>SIZE A</p>	<p>FGCH NO. 55335</p>
<p>JKL COMPONENTS CORPORATION</p>		<p>TITLE T-1 SURFACE MOUNT LAMP WITH BASE AND FILTER (LOW PROFILE)</p>		
<p>MANUAL REVISIONS NOT PERMITTED</p>		<p>RELEASED DATE 11/29/99</p>	<p>REVISION DATE 11/28/00</p>	<p>SHEET 1 OF 1</p>