

REV.	DESCRIPTION/ECO NO.	DATE
A	PRODUCTION RELEASE	10/3/99
B	ELECTRICAL CHANGES	3/10/04

PERFORMANCE SPECIFICATIONS:

DESCRIPTION	SYM	MIN	TYP	MAX	UNITS
INPUT VOLTAGE	VIN	10.8	12.0	13.2	V DC
INPUT CURRENT	IIN	---	320	800	MA DC
OUTPUT VOLTAGE	VL	1300	1500	---	V RMS
OUTPUT CURRENT (2X)	IL	5.0	5.5	6.0	MA RMS
OSC. FREQUENCY	Fo	37.0	47.0	57.0	K HZ
PWM FREQUENCY	FPW	435	455	475	HZ

TESTED WITH 2 EACH 3MM X 250MM LAMPS, AT 25°C, VIN= 12.0V ± 0.1V.

OPERATING CHARACTERISTICS:

- INPUT VOLTAGE RANGE: 10.8 VDC TO 13.2 VDC
- NOMINAL INPUT POWER: 8.0 WATTS
- OUTPUT DIMMING RANGE (R MODE): 40% TO 100%
- OUTPUT DIMMING RANGE (V MODE): 20% TO 100%
- OPERATING TEMPERATURE RANGE: 0°C TO 60°C
- STORAGE TEMPERATURE RANGE: -20°C TO 70°C

ABSOLUTE MAXIMUM RATINGS:

- MAXIMUM INPUT VOLTAGE: 15.0 VDC
- MAXIMUM RELATIVE HUMIDITY: 95%

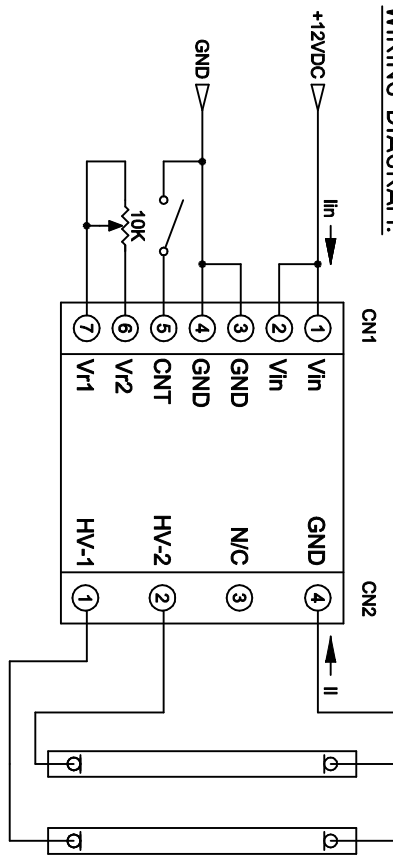
MATING CONNECTORS:

DESCRIPTION	REF	MFG	ON-BOARD	HOUSING	CONTACT
INPUT	CN1	MOLEX	53261-0790	51021-0700	50079-8000
OUTPUT	CN2	JST	SM04-4,0-B-BHS-1	BHR-04VS-1	SBH-001T-P0.5

CONNECTOR HARNESSSES

INPUT JKL PART NO.: BXC-10694L
 OUTPUT JKL PART NO.: BXC-10685

WIRING DIAGRAM:



CONTROL FUNCTIONS:

CNT (INPUT PIN 5) IS USED AS AN INHIBIT FUNCTION, "+V" OR "OPEN" EQUALS OFF, "GND" EQUALS ON.
 R MODE DIMMING: V11 AND V12 (INPUT PINS 6 AND 7) ARE USED TO PROVIDE, THE DIMMING FUNCTION, "0" OHMS EQUALS 100% LIGHT OUTPUT, "10K" OHMS EQUALS 40% LIGHT OUTPUT.
 V MODE DIMMING: V11 (INPUT PIN 7) IS USED TO PROVIDE, THE DIMMING FUNCTION, "0VDC" EQUALS 100% LIGHT OUTPUT, "2.0VDC" EQUALS 20% LIGHT OUTPUT.

NOTE: THE SWITCH AND POTENTIOMETER SHOWN ON THE WIRING DIAGRAM ARE NOT A PART OF THE BXA-12630-5.5M INVERTER. THESE ARE PARTS ARE AVAILABLE FROM MOST ELECTRONIC PARTS DISTRIBUTORS.

<p>THIRD ANGLE PROJECTION</p>	<p>METRIC</p>	DIMENSIONS ARE IN MILLIMETERS		TOLERANCE UNLESS OTHERWISE SPECIFIED	
		1 PL +/-	2 PL +/-	ANGLE +/-	DATE
<p>JKL COMPONENTS CORPORATION</p>		<p>12 VDC INPUT, DUAL OUTPUT, DIMMING CCFL INVERTER</p>		<p>DATE: 3/10/04</p>	<p>APPR'D BY: L. WENGSTROM</p>
<p>SCALE: NONE</p>		<p>SIZE: A</p>		<p>FORM NO.: 55335</p>	
<p>MANUAL REVISIONS NOT PERMITTED</p>		<p>SCALE: NONE</p>		<p>RELEASED DATE: 10/3/99</p>	
<p>REVISION DATE: 3/10/04</p>		<p>REV. NO.: B</p>		<p>SHEET 1 OF 1</p>	