

PERFORMANCE SPECIFICATIONS:

DESCRIPTION	SYM	MIN	TYP	MAX	UNITS
INPUT VOLTAGE	VIN	10.8	12.0	13.2	V DC
INPUT CURRENT	IIN	---	720	---	MA DC
OUTPUT VOLTAGE	VL	---	1000	---	V RMS
OUTPUT CURRENT	IL	6.0	7.0	8.0	MA RMS
OSC. FREQUENCY	Fo	45.0	55.0	65.0	K HZ
PWM FREQUENCY	FPW	4.35	4.55	4.75	HZ

TESTED WITH 2 EACH 3MM X 24.0MM LAMPS, AT 25°C, VIN= 12.0V ± 0.1V.

OPERATING CHARACTERISTICS:

INPUT VOLTAGE RANGE: 10.8V DC TO 13.2V DC  
 NOMINAL INPUT POWER: 10.0 WATTS  
 OUTPUT DIMMING RANGE (R MODE): 40% TO 100%  
 OPERATING TEMPERATURE RANGE: 0°C TO 60°  
 STORAGE TEMPERATURE RANGE: -20°C TO 70°C

MATING CONNECTORS:

REF.	DESCRIPTION	PART NUMBER	MFG.
CN-1	INPUT HOUSING TERMINAL	51021-0700 50079-8000	MOLEX
CN-1	INPUT HARNESS	BXC-10630	JKL
CN-2 & CN-3	OUTPUT 1 & 2 HOUSING TERMINAL	BHR-03VS-1 SBH-001T-P0.5	JST
CN-2 & CN-3	OUTPUT 1 & 2 HARNESS	BXC-10643 (2 required)	JKL

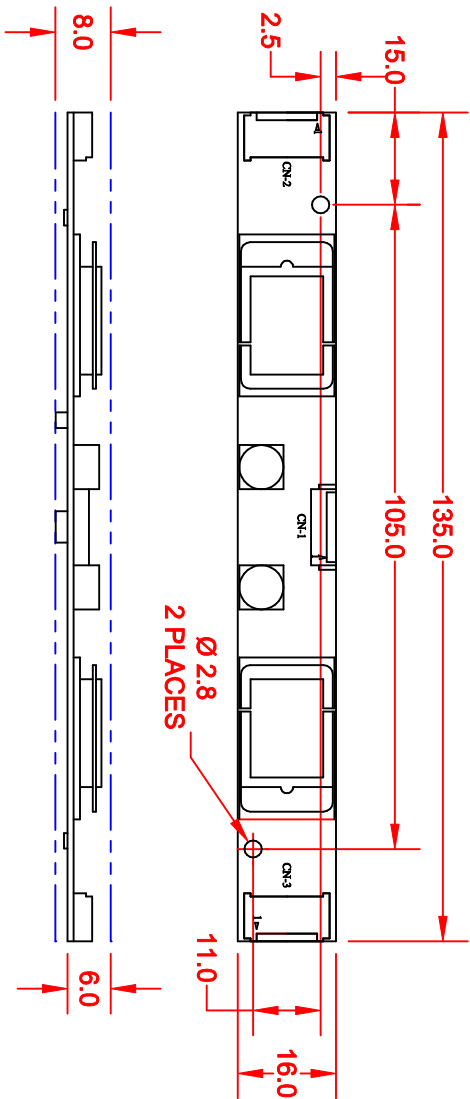
CONTROL FUNCTIONS:

CNT (INPUT PIN 3) IS USED AS AN INHIBIT FUNCTION, "GND" OR "OPEN" EQUALS OFF, "+V" EQUALS ON.

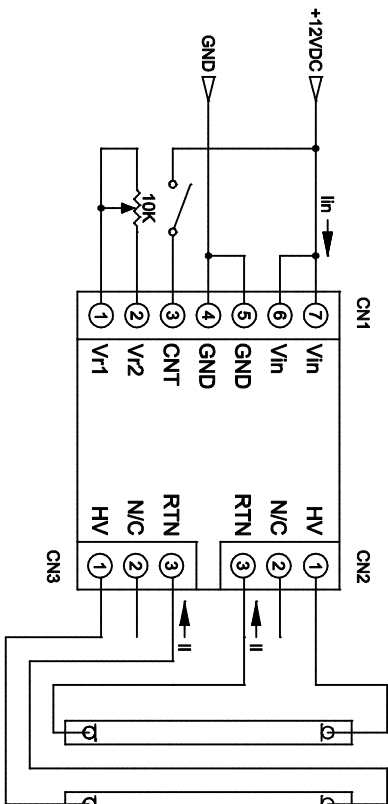
R MODE DIMMING: VR1 AND VR2 (INPUT PINS 1 AND 2) ARE USED TO PROVIDE THE DIMMING FUNCTION, "0" OHMS EQUALS 100% LIGHT OUTPUT, "10K" OHMS EQUALS 40% LIGHT OUTPUT.

NOTE: THE SWITCH AND POTENTIOMETER SHOWN ON THE WIRING DIAGRAM ARE NOT A PART OF THE BXA-12613-7M INVERTER. THESE PARTS ARE AVAILABLE FROM MOST ELECTRONIC PARTS DISTRIBUTORS.

ABSOLUTE MAXIMUM RATINGS:  
 MAXIMUM INPUT VOLTAGE: 16.0 VDC  
 MAXIMUM RELATIVE HUMIDITY: 90%



WIRING DIAGRAM:



REV.	DESCRIPTION/ECO NO.	DATE
	ENGR. RELEASE TO CAD	7/2/04

<b>METRIC</b>	DIMENSIONS ARE IN MILLIMETERS	<b>JKL COMPONENTS CORPORATION</b>
THIRD ANGLE PROJECTION	TOLERANCE UNLESS OTHERWISE SPECIFIED 1 PL +/- 2 PL +/- ANGLE +/- 0	<b>12V DC INPUT, DUAL OUTPUT, DIMMING CCFL INVERTER</b>
DRAWN BY: L. WENGSTROM	APPROVED BY: J.K.	DATE: 7/2/04
SCALE: NONE	SIZE: A	FORM NO.: 55335
MANUAL REVISIONS NOT PERMITTED	RELEASED DATE: 7/2/04	DRAWING NO.: BXA-12613-7M
		REV. NO. 1 OF 1