

**PERFORMANCE SPECIFICATIONS:**

DESCRIPTION	SYM	MIN	Typ	MAX	UNITS
INPUT VOLTAGE	VIN	10.0	12.0	16.0	V DC
INPUT CURRENT	IIN	---	230	---	MA DC
OUTPUT VOLTAGE	VL	900	1000	---	V RMS
OUTPUT CURRENT	IL	4.0	5.0	6.0	MA RMS
OSC. FREQUENCY	Fo	45.0	55.0	65.0	K HZ
PWM FREQUENCY	FPW	4.35	4.55	4.75	HZ

TESTED WITH 1 EACH 3MM X 16.4MM LAMP, AT 25°C,  
VIN= 12.0V ± 0.1V.

**OPERATING CHARACTERISTICS:**

INPUT VOLTAGE RANGE: 8.0 Vdc TO 16.0 Vdc  
 NOMINAL INPUT POWER: 5.0 WATTS  
 OUTPUT DIMMING RANGE (R MODE): 33% TO 100%  
 OUTPUT DIMMING RANGE (V MODE): N/A  
 OPERATING TEMPERATURE RANGE: 0°C TO 60°C  
 STORAGE TEMPERATURE RANGE: -20°C TO 70°C

**CONTROL FUNCTIONS:**

CNT (INPUT PIN 3) IS USED AS AN INHIBIT FUNCTION, "GND" EQUALS ON. "+V" OR "OPEN" EQUALS OFF.

R MODE DIMMING: VR1 AND VR2 (INPUT PINS 4 AND 5) ARE USED TO PROVIDE, THE DIMMING FUNCTION, "0" OHMS EQUALS 100% LIGHT OUTPUT, "10K" OHMS EQUALS 33% LIGHT OUTPUT.

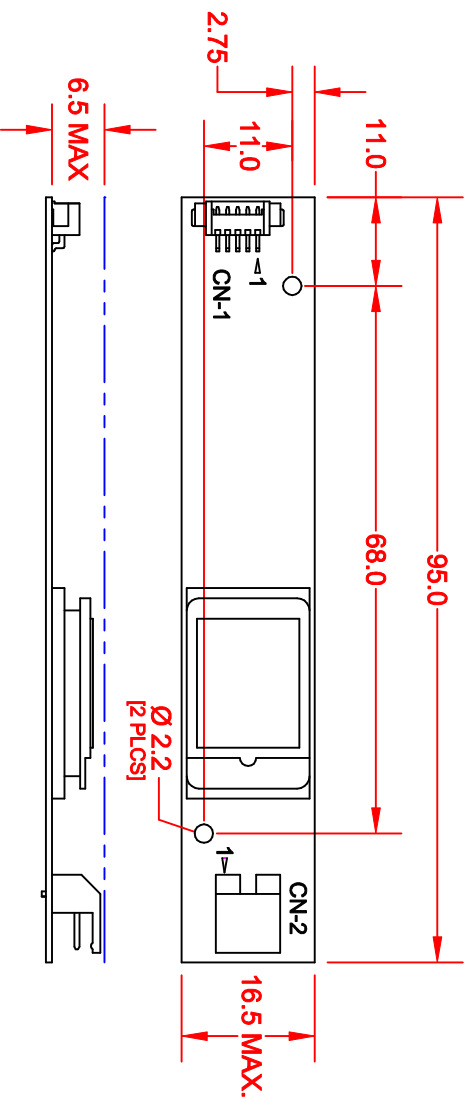
NOTE: THE SWITCH AND POTENTIOMETER SHOWN ON THE WIRING DIAGRAM ARE NOT A PART OF THE BXA-12594-5M INVERTER. THESE PARTS ARE AVAILABLE FROM MOST ELECTRONIC PARTS DISTRIBUTORS.

**MATING CONNECTORS:**

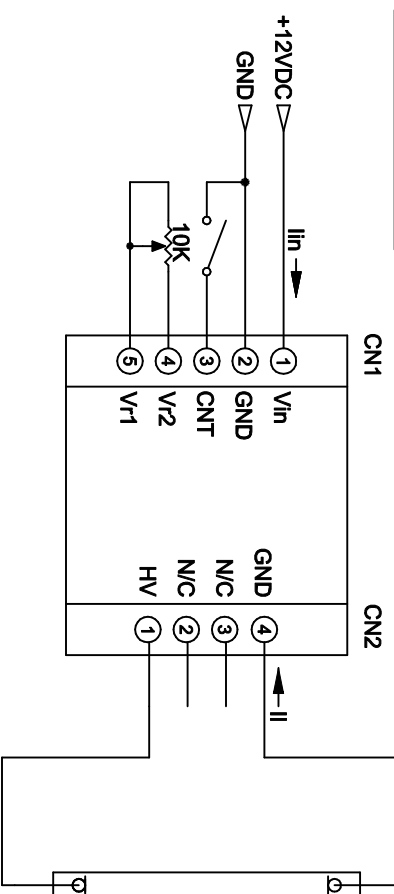
REF.	DESCRIPTION	PART NUMBER	MFG.
CN-1	HOUSING TERMINAL	51021-0500 50079-8000	MOLEX
CN-1	INPUT HARNESS	BXC-10549	JKL
CN-2	HOUSING TERMINAL	IL-G-4S-S3C2 L-G-C2-SC-10000	JAE
CN-2	OUTPUT HARNESS	BXC-10689	JKL

**ABSOLUTE MAXIMUM RATINGS:**

MAXIMUM INPUT VOLTAGE: 16.0 Vdc  
 MAXIMUM RELATIVE HUMIDITY: 90%



**WIRING DIAGRAM:**



**JKL COMPONENTS CORPORATION**

TITLE: 12V DC INPUT, SINGLE OUTPUT, DIMMING CCFL INVERTER

METRIC	DIMENSIONS ARE IN MILLIMETERS
THIRD ANGLE PROJECTION	TOLERANCE UNLESS OTHERWISE SPECIFIED
	1 PL +/- .05
	2 PL +/- .05
	ANGLE +/- .0
DRAWN BY L. WENGSTROM	APPROV BY J.K.
DATE 7/2/04	DATE 7/2/04

SIZE	SCALE	FSCH NO.	DRAWING NO.	RELEASED DATE	REVISION DATE	REV. NO.	SHEET
A	NONE	55335	BXA-12594-5M	7/2/04		1	1 OF 1

- CAD DRAWING -  
 MANUAL REVISIONS NOT PERMITTED

REV.	DESCRIPTION/ECCO NO.	DATE
	ENGR. RELEASE TO CAD	7/2/04