

**MATING CONNECTORS:**

REF.	DESCRIPTION	PART NUMBER	MFG.
CN-1	INPUT HOUSING TERMINAL	IL-Z-7S-S125C3 IL-Z-C3-A-15000	JAE
CN-1	INPUT HARNESS	BXC-10550	JKL
CN-2	OUTPUT HOUSING TERMINAL	M63M83-06 M63C84-1	MITSUMI
CN-2	OUTPUT HARNESS	BXC-10655	JKL

**PERFORMANCE SPECIFICATIONS:**

DESCRIPTION	SYM	MIN	TYP	MAX	UNITS
INPUT VOLTAGE	VIN	10.8	12.0	13.2	V DC
INPUT CURRENT	IIN	---	520	---	MA DC
OUTPUT VOLTAGE	VL	1100	1200	---	V RMS
OUTPUT CURRENT	IL	5.5	6.0	6.5	MA RMS
OSC. FREQUENCY	Fo	20.0	30.0	40.0	K HZ
PWM FREQUENCY	FPW	4.35	4.55	4.75	HZ

TESTED WITH 2 EACH 3MM X 220MM LAMPS, AT 25°C, VIN=12.0V ± 0.1V.

**CONTROL FUNCTIONS:**

CNT (INPUT PIN 3) IS USED AS AN INHIBIT FUNCTION, "+V" OR "OPEN" EQUALS OFF. "GND" EQUALS ON.

R MODE DIMMING: VRI AND VR2 (INPUT PINS 1 AND 2) ARE USED TO PROVIDE, THE DIMMING FUNCTION, "0" OHMS EQUALS 100% LIGHT OUTPUT, "10K" OHMS EQUALS 40% LIGHT OUTPUT.

V MODE DIMMING: VRI (INPUT PIN 1) IS USED TO PROVIDE, THE DIMMING FUNCTION, "0V DC" EQUALS 100% LIGHT OUTPUT, "2.0V DC" EQUALS 20% LIGHT OUTPUT.

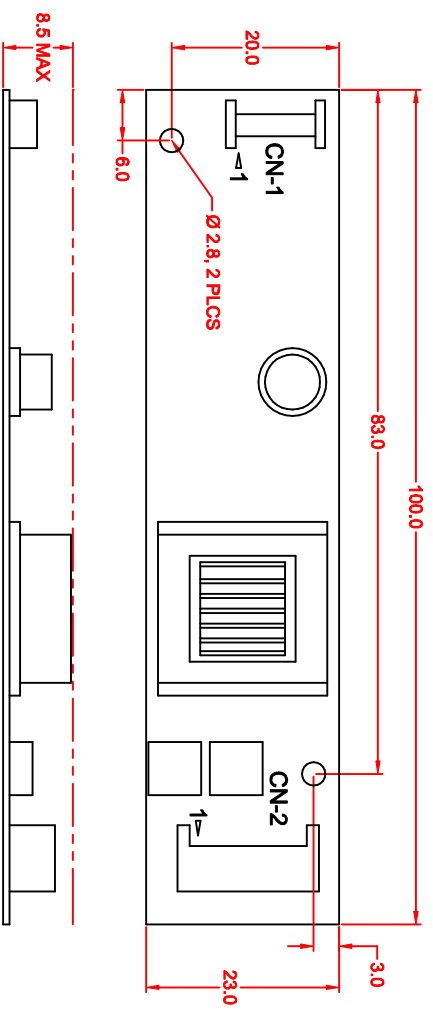
NOTE: THE SWITCH AND POTENTIOMETER SHOWN ON THE WIRING DIAGRAM ARE NOT A PART OF THE BXA-12549-6M INVERTER. THESE PARTS ARE AVAILABLE FROM MOST ELECTRONIC PARTS DISTRIBUTORS.

**OPERATING CHARACTERISTICS:**

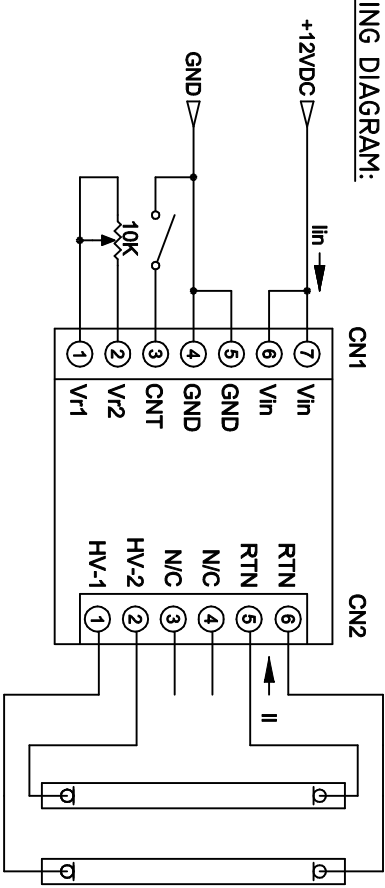
INPUT VOLTAGE RANGE: 10.8 VDC TO 13.2 VDC  
 NOMINAL INPUT POWER: 8.0 WATTS  
 OUTPUT DIMMING RANGE (R MODE): 50% TO 100%  
 OUTPUT DIMMING RANGE (V MODE): 20% TO 100%  
 OPERATING TEMPERATURE RANGE: 0°C TO 60°C  
 STORAGE TEMPERATURE RANGE: -20°C TO 70°C

ABSOLUTE MAXIMUM RATINGS:  
 MAXIMUM INPUT VOLTAGE: 14.0 VDC  
 MAXIMUM RELATIVE HUMIDITY: 90%

REV.	DESCRIPTION/ECO NO.	DATE
	ENGR. RELEASED TO CAD	7/7/04



**WIRING DIAGRAM:**



<p><b>METRIC</b></p> <p>THIRD ANGLE PROJECTION</p>	<p>DIMENSIONS ARE IN MILLIMETERS TOLERANCE UNLESS OTHERWISE SPECIFIED</p> <p>1 PL +/- .0</p> <p>2 PL +/- .0</p> <p>ANGLE +/- .0</p>	<p><b>JKL COMPONENTS CORPORATION</b></p>	
		<p>TITLE: 12 VDC INPUT, DUAL OUTPUT, DIMMING CCFL INVERTER</p>	
<p>DRAWN BY: L. WENGSTROM</p> <p>APP'D BY: J.K.</p> <p>DATE: 7/7/04</p>	<p>SIZE: A</p> <p>FORM NO.: 55335</p> <p>DRAWING NO.: 7/7/04</p>	<p>SCALE: NONE</p>	<p>RELEASED DATE: 7/7/04</p>
<p>MANUAL REVISIONS NOT PERMITTED</p>		<p>REV. NO.: 1</p>	<p>SHEET: 4</p>