

**MATING CONNECTORS:**

REF.	DESCRIPTION	PART NUMBER	MFG.
CN-1	INPUT HOUSING TERMINAL	IL-Z-5S-S125C3	JAE
CN-1	INPUT HARNESS	IL-Z-C3-A-15000	JKL
CN-2	OUTPUT HOUSING TERMINAL	BXC-10546	JKL
CN-2	OUTPUT HARNESS	M63M83-04 M63C84-1 BXC-10632	MITSUM
CN-2	OUTPUT HARNESS		JKL

**PERFORMANCE SPECIFICATIONS:**

DESCRIPTION	SYM	MIN	TYP	MAX	UNITS
INPUT VOLTAGE	VIN	8.0	12.0	16.0	V DC
INPUT CURRENT	IIN	270	320	370	MA DC
OUTPUT VOLTAGE	VL	900	1000	----	V RMS
OUTPUT CURRENT	IL	5.0	6.0	7.0	MA RMS
OSC. FREQUENCY	Fo	45	55	65	K HZ

TESTED WITH 3mm X 220mm LAMP,  
AT 25°C, V = 12.0 V ± 0.1 V.

**CONTROL FUNCTIONS:**

CNT (INPUT PIN 3) IS USED AS AN INHIBIT FUNCTION, "+V" OR "OPEN" EQUALS OFF. "GND" EQUALS ON.

Vr1 AND Vr2 (INPUT PINS 1 AND 2) ARE USED TO PROVIDE, THE DIMMING FUNCTION, 0 OHMS EQUALS 100 % OUTPUT, 10K OHMS EQUALS 40% OUTPUT.

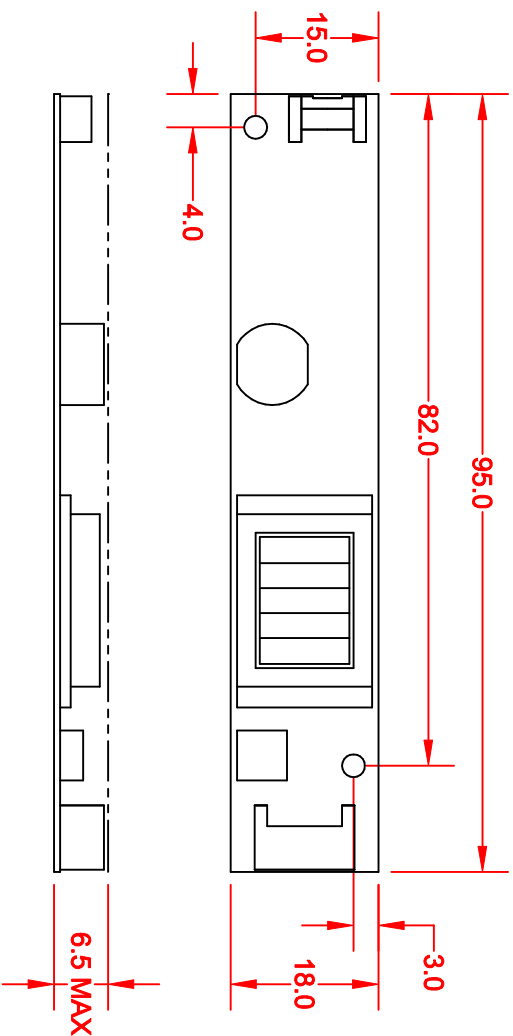
NOTE: THE SWITCH AND POTENTIOMETER SHOWN ON THE WIRING DIAGRAM ARE NOT A PART OF THE BXA-12565-6M INVERTER. THESE PARTS ARE AVAILABLE FROM MOST ELECTRONIC PARTS DISTRIBUTORS.

**OPERATING CHARACTERISTICS:**

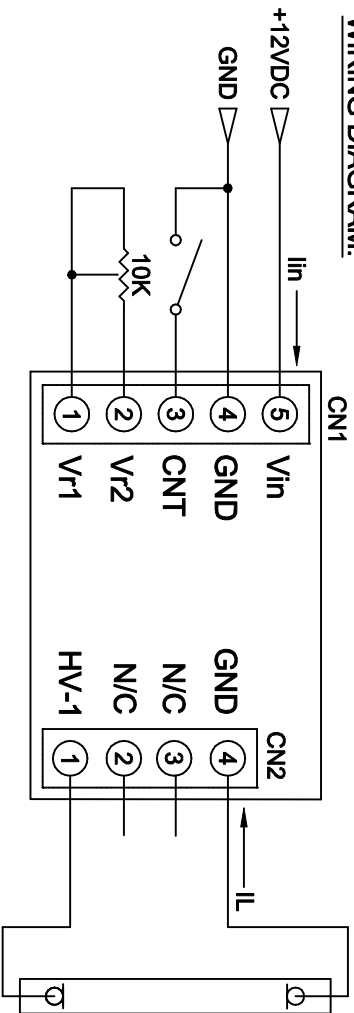
INPUT VOLTAGE RANGE: 8.0 TO 16.0 Vdc  
 OUTPUT DIMMING RANGE: 100% TO 40%  
 OPERATING TEMP. RANGE: 0°C TO +60°C  
 STORAGE TEMP. RANGE: -20°C TO +70°C

**ABSOLUTE MAXIMUM RATINGS:**

INPUT VOLTAGE: 18.0 Vdc  
 LAMP SIZE: Ø3mm X 240mm



**WIRING DIAGRAM:**



METRIC		DIMENSIONS ARE IN MILLIMETERS		TOLERANCE UNLESS OTHERWISE SPECIFIED	
THIRD ANGLE PROJECTION		1 PL +/-		2 PL +/-	
ANGLE +/-		0		0	
DRAWN BY	APP'D BY	DATE	SIZE	FIG. NO.	DRAWING NO.
L. WENGSTROM	J.K.	8/5/04	A	55335	
- CAD DRAWING - MANUAL REVISIONS NOT PERMITTED			SCALE	NONE	RELEASED DATE
					8/5/04
					REVISION DATE
					REV. NO.
					1 OF 1
<b>JKL COMPONENTS CORPORATION</b>					
<b>12 VDC INPUT, DIMMING 100% - 40% CCFL INVERTER</b>					
<b>BXA-12565-6M</b>					

REV.	DESCRIPTION/ECO NO.	DATE
	ENGR. RELEASED TO CAD	8/5/04