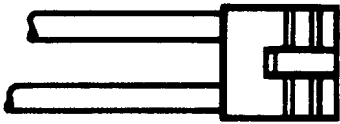
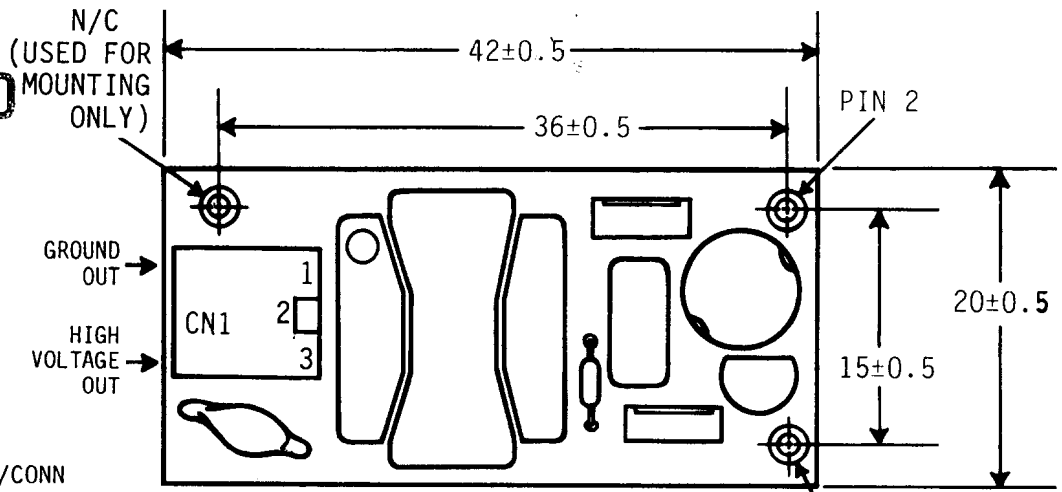


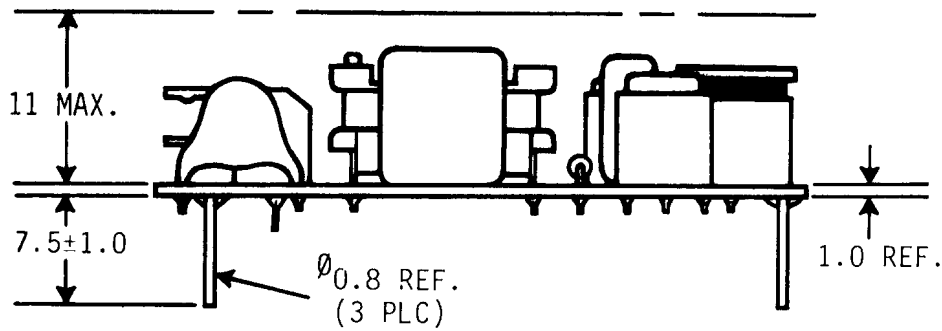
UNCONTROLLED COPY



CONNECTOR HARNESS
(JKL PART NO.: BXA-12552/CONN)



INVERTER
(JKL PART NO.: BXA-501/INV)



(PARTS LAYOUT FOR REFERENCE ONLY)

CHARACTERISTICS	MIN	TYP	MAX
INPUT VOLTAGE: (vdc)	4.5	5.0	5.5
INPUT CURRENT: (mA)	---	200	400
OUTPUT VOLTAGE: (Vrms)	600	700	800
OUTPUT CURRENT: (mA)	4.0	5.0	6.0
OUTPUT FREQUENCY: (kHz)	30	45	60
OPERATING TEMP: (CELSIUS)	0	25	50

CN1	PIN #	(TO LAMP)
	1	OUT GROUND
	2	N/C
	3	HIGH V

BOARD	PIN #	(INPUT)
	1	+V (Vin)
	2	V (GND)

MECHANICAL DIMENSIONS ARE
IN MILLIMETERS.

FOR INVERTER AND CONNECTOR ORDER
JKL PART NO.: BXA-501/KIT.

TITLE 5V POWER SUPPLY		DRAWING NUMBER BXA-501/KIT		REVISION B
	13343 Paxton Street Pacoima, CA 91331	RELEASE DATE 7/22/98	DRAWN BY LEN	APPROVED BY
	(818) 896-0019	SIZE A	FSCM 55335	SCALE 2X