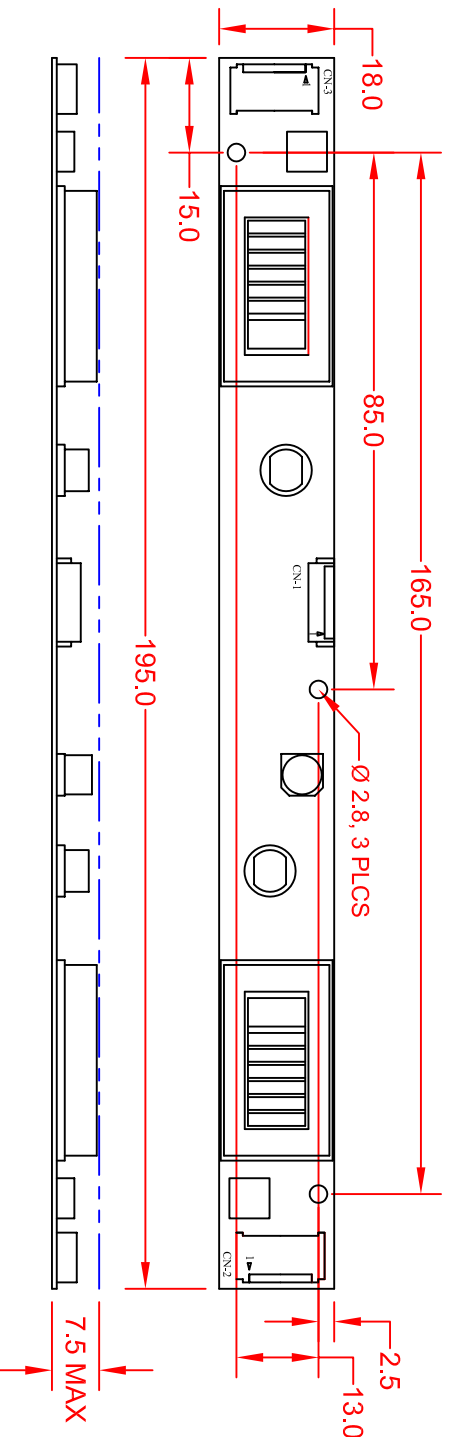
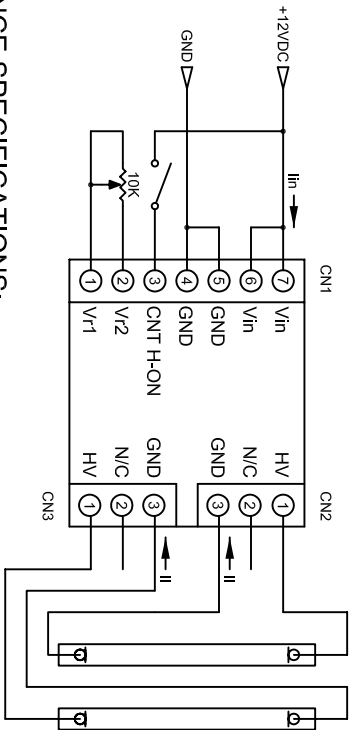


REV	DESCRIPTION/ECO NO.	DATE
A	ENGR. RELEASED TO CAD	8/5/04
B	PIN # CORR. ON CONTROLS FUNCTION	8/5/04
	CHNG ELEC. SPECS. CHARS. RATINGS	7/7/06



**WIRING DIAGRAM:**



**PERFORMANCE SPECIFICATIONS:**

DESCRIPTION	SYM	MIN	TYP	MAX	UNITS
INPUT VOLTAGE	VIN	10.8	12.0	13.2	V DC
INPUT CURRENT	IIN	---	1100	---	MA DC
OUTPUT VOLTAGE	VL	---	1800	---	V RMS
OUTPUT CURRENT	IL	5.0	6.0	7.0	MA RMS
OSC. FREQUENCY	FO	---	40.0	---	K HZ

TESTED WITH 2 EACH 3mm X 330mm LAMPS, AT 25°C, VIN= 12.0V ± 0.1V.

**OPERATING CHARACTERISTICS:**

INPUT VOLTAGE RANGE: 10.8 VDC TO 13.2 VDC  
 MAX INPUT POWER: 15.0 WATTS  
 OUTPUT DIMMING RANGE (R MODE): 40% TO 100%  
 OUTPUT DIMMING RANGE (V MODE): N/A  
 OPERATING TEMPERATURE RANGE: 0°C TO 60°C  
 STORAGE TEMPERATURE RANGE: -20°C TO 70°C

**ABSOLUTE MAXIMUM RATINGS:**

MAXIMUM INPUT VOLTAGE: 16.0 VDC  
 MAXIMUM RELATIVE HUMIDITY: 95%

**MATING CONNECTORS:**

REF.	DESCRIPTION	PART NUMBER	MFG.
CN-1	INPUT HOUSING TERMINAL	51021-0700 50079-8000	MOLEX
CN-1	INPUT HARNESS	BXC-10630	JKL
CN-2 & CN-3	OUTPUT 1 & 2 HOUSING TERMINAL	BHR-03VS-1 SBH-001T-P0.5	JST
CN-2 & CN-3	OUTPUT 1 & 2 HARNESS	BXC-10643 (2 required)	JKL

**CONTROL FUNCTIONS:**

CNT (INPUT PIN 3) IS USED AS AN INHIBIT FUNCTION, "GND" OR "OPEN" EQUALS OFF. "+V" EQUALS ON.  
 R MODE DIMMING: VR1 AND VR2 (INPUT PINS 1 AND 2) ARE USED TO PROVIDE, THE DIMMING FUNCTION, "0" OHMS EQUALS 100% LIGHT OUTPUT, "10K" OHMS EQUALS 40% LIGHT OUTPUT.

NOTE: THE SWITCH AND POTENTIOMETER SHOWN ON THE WIRING DIAGRAM ARE NOT A PART OF THE BXA-12610-7M INVERTER. THESE PARTS ARE AVAILABLE FROM MOST ELECTRONIC PARTS DISTRIBUTORS.

	DIMENSIONS ARE IN MILLIMETERS		
	TOLERANCE UNLESS OTHERWISE SPECIFIED 1 PL +/- REF. 2 PL +/- ANGLE +/- 0		
<b>JKL COMPONENTS CORPORATION</b> 12V DC INPUT, DUAL OUTPUT, DIMMING CCFL INVERTER		TITLE DIMMING CCFL INVERTER	FSCM NO. DRAWING NO. <b>BXA-12610-7M</b>
DRAWN BY L. WENGSTROM	APP'D BY LARRY R.	DATE 7/7/06	SIZE <b>A</b>
- CAD DRAWING - MANUAL REVISIONS NOT PERMITTED	SCALE NONE	RELEASED DATE 8/5/04	REVISION DATE 7/7/06
		REV. NO. <b>B</b>	SHEET 1 OF 1