

MESSRS :

Product Drawing

CUSTOMER'S PRODUCT NAME:

TDK PRODUCT NAME: DC/AC INVERTER UNIT CXA- P1012B-NJL

TENTATIVE

***Notice**

Product Drawing is not contract. This is only technical data.

This technical data may change internal description without any notice.

When you design final product please request us specification through our sales or distributors.

After you receive the specification, the contract is effective on signature of the specification.



TDK-Lambda Corporation

PREPARED BY	APPROVED BY	AUTHORIZED BY
<i>April 16, 2010 M.Tsujisaka</i>	<i>April 16, 2010 K.Yamaishi</i>	<i>April 16, 2010 H.Masuoka</i>

DWG.No.

CTR-3833-X

Precautionary Notes Regarding the Use of This Inverter

When using this product, give due consideration to the precautionary notes described below and ensure a safe design. Inappropriate use may result in electric shock, injury or fire.

⚠ Warning



- This product is subject to high voltage. Do not touch it while the power is on. Failing to do so may result in electric shock.

⚠ Caution

- This product is designed for lighting Cold Cathode Fluorescent Lamps. Do not use it with any other load.
- Store this product under the conditions defined in the specification document.
- Do not store this product in an environment where dust, dirt or corrosive gas (salt, acid, base, etc.) is present.
- This product is subject to high voltage. If there is a possibility that the user may touch the product, provide a proper warning indication in order to draw the user's attention.
- This product is designed for use with general electronic equipment. If it is to be used with medical equipment that directly affects human life or for the control of transportation equipment to which passengers entrust their lives, provide thorough fail-safe measures.
- Consult us before using if this product is to be installed in a habitual vibration environment (vehicle, etc.).
- Avoid using this product under high temperatures or high humidity or in an environment in which dust, dirt or any corrosive gas (salt, acid, base, etc.) is present. Also, be careful not to allow the formation of dew condensation. It may result in damage or electric shock.
- If the product does not have a built-in protective circuit (circuit breaker, fuse, etc.), it is recommended that a fuse be used at the input stage to prevent the generation of smoke or fire in the event of a malfunction. Even when the product has a built-in protective circuit (circuit breaker, fuse, etc.), the circuit may not function properly due to inappropriate operating conditions or power-supply capacity. It is recommended that an appropriate protective circuit (circuit breaker, fuse, etc.) be provided separately from the built-in circuit.
- Use the product only within the specified input voltage, output power, output voltage and operating temperature ranges. Exceeding these values may result in damage, etc.
- Provide a measure for the prevention of surge voltage due to lightning, etc. Abnormal voltage may result in damage, etc.
- To prevent problems from occurring as a result of a short circuit in the high voltage section, be sure to take appropriate measures to prevent the entry of foreign substances into the inverter after it is installed.
- This product is not designed to provide resistance to radiation.
- In order to protect the inverter from vibration and shock, be sure to use all the mounting holes when installing the inverter.
- Ripples could be superimposed on the voltage and the current in the input source connected to the inverter, depending on the impedance in the input source, wiring, etc. When you select an input source, please check waveforms, etc on the final set.
- Please use all the mounting holes, because to defend the converter from vibration and impact.

Handling Precautions

- This product uses thin wires. Observe the following precautions and handle it with care so as not to cause wire breakage. Broken wire may result in damage, etc.
 - ❖ Do not stack multiple products on top of one another.
 - ❖ Do not allow the product to come in contact with tools, etc.
- Do not apply excessive stress during installation. It may cause chipping and cracking, resulting in damage, etc.
- Provide clearance between the high-voltage section of this product and the frame body on which the product is installed and also the conductor section as on page 2, [1] "Outline".
- Do not use the product after it has been dropped because there is the possibility that components have been damaged.

	No.	MATERIALS NAME	QU	MATERIAL	REMARK
	PRODUCT NAME or MODEL, TITLE				
	DC-AC INVERTER UNIT CXA-P1012B-NJL				
TDK-Lambda	NAME OF DRAWING		DRAWING No.		PAGE
	Product Drawing		CTR-3833-X		1

<The specifications may be changed without any notice.>

TSB-08-01-05(00) form-6(A4)

1. Part Name

The part name is CXA-P1012B-NJL.

2. Contents

Item	Attached view	Page
1.Appearance,Structure and Dimensions		
Outline	refer to [1]	3
Pin configuration	refer to [1]	4
2.Characteristics		
Absolute Maximum Ratings	refer to [2]	5
3.Electrical Characteristics	refer to [3]	5
4.Start up and operating condition	refer to [4]	5
5.Test circuit	refer to [4]	6
6.Reliability Test	refer to [5]	7
7.Packing and Marking	refer to [6]	8
8.Others		
Test Cond Std Warranty Others	refer to [7]	8

No.	MATERIALS NAME	QU	MATERIAL	REMARK
PRODUCT NAME or MODEL,TITLE				
DC-AC INVERTER UNIT CXA-P1012B-NJL				
TDK-Lambda	NAME OF DRAWING		DRAWING No.	PAGE
	Product Drawing		CTR-3833-X	2

<The specifications may be changed without any notice.>

TSB-08-01-05(00) form-6(A4)

***If product drawing is different from product specification, product specification is prior.**

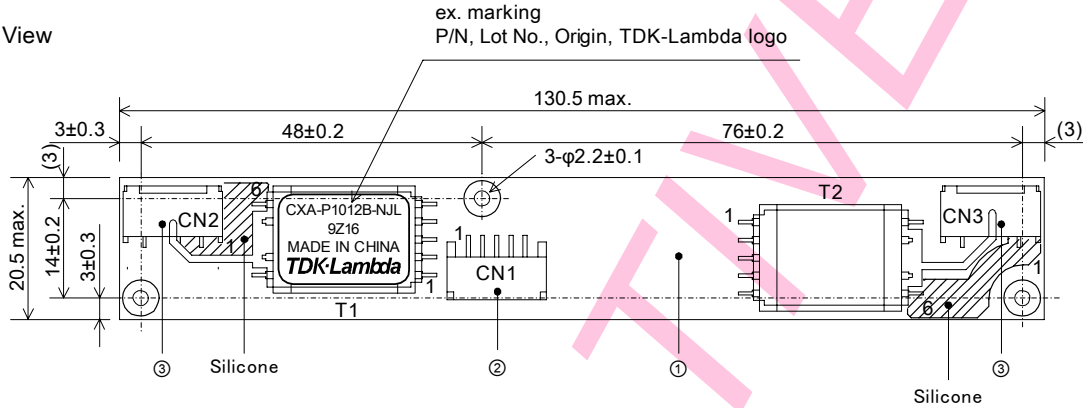
●Features●

- This inverter is for two lamps.
 - The high-voltage area (terminals and patterns) is coated with silicone so as to avoid the defects caused by dust.
 - This product is conformity to RoHS directive. (※)
- (※) Conformity to RoHS Directive: This means that, in conformity with EU Directive 2002/95/EC, lead, cadmium, hexavalent chromium, and specific bromine-based flame retardants, PBB and PBDE, have not been used, except for exempted applications.

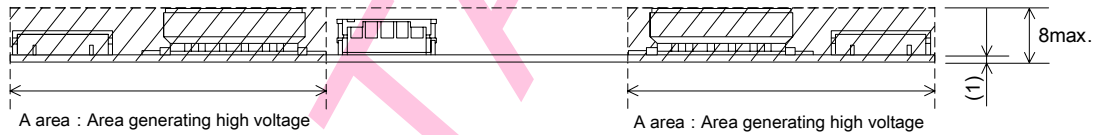
[1] Outline

1-1. Outline

Top View

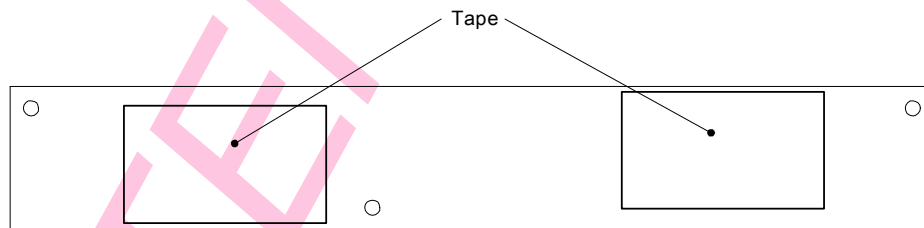


Side View



※Please secure 3mm or longer space distance from the highvoltage generating area in all directions. Please see Note 1-4 for the details.

Bottom View



Unit:mm
Mass:21.0g typ.

The dimensional deviation not instructed is assumed to be ±0.3mm

No.	Part Description	Material	Qu	Remark	Mates With
①	PCB	Composite (CEM-3)	1	UL94V-0 t=1.0	-
②	Input Connector CN1	S5B-PH-SM4-TB(LF)(SN)	1	JST	PHR-5
③	Output Connector CN2,CN3	SM02(8.0)B-BHS-1-TB(LF)(SN)	2	JST	BHR-03VS-1

No.	MATERIALS NAME	QU	MATERIAL	REMARK
PRODUCT NAME or MODEL,TITLE				
DC-AC INVERTER UNIT CXA-P1012B-NJL				
TDK-Lambda	NAME OF DRAWING		DRAWING No.	PAGE
	Product Drawing		CTR-3833-X	3

<The specifications may be changed without any notice.>

TSS-08-01-05(00) form-6(A4)

1-2. Connector Configuration

Input side CN1

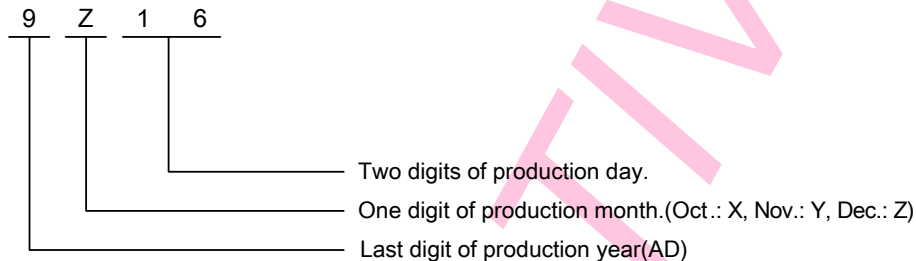
Pin No.	Symbols	Ratings	Notes
CN1-1	Vin	12V	Input Voltage
CN1-2	GND	0V	GND
CN1-3 CN1-4 CN1-5	N.C.	-	-

Output side CN2,3

Pin No.		Symbols	Ratings	Notes
CN2-1	CN3-1	VHIGH1,2	5mArms	Output1,2
CN2-2	CN3-2	N.C.	-	-
CN2-3	CN3-3	VLOW1,2	(2V)	Output1,2 Return

Note1-1. The output is floating.
Both CN2-1, CN2-3, CN3-1, and CN3-3 be come high voltages.

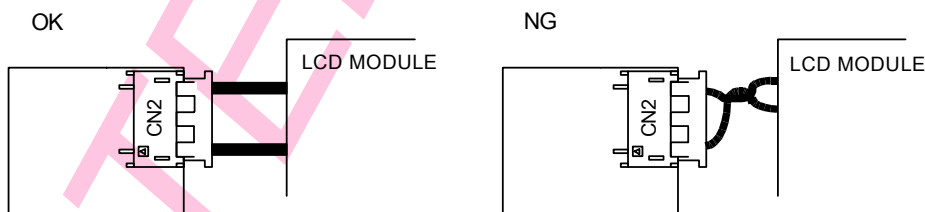
Note1-2. Marking of TDK part No, Date code, Country of origin.
1) TDK part No., Date code, Country of origin, TDK-Lambda Logo, is marked on the transformer.
2) Date code example. (ex. Dec. 16. 2009)



3) Country of origin code example. (ex. MADE IN JAPAN. MADE IN CHINA,MADE IN MALAYSIA).

- Note1-3. For circuit connection, please refer to test circuit diagram [4].
- Note1-4. Please use minimum of 3mm clearance (all directions) between inverter high voltage area and any conductors. Please refer to mechanical drawing for marking of high voltage area.
- Note1-5. Open voltage (strike voltage) is measured across the transformer secondary winding at no load as the reading at the output connector would be less than the actual value.
- Note1-6. Mounting hole of part b is located near a high voltage pattern layout. To avoid electrocution, use a non-conductive screw, or create an assembly that will electrically insulate the mounting screw.
- Note1-7. If the start up voltage falls below Cold Cathode Tube strike voltage, the CCFL will not light up easily specially at lower ambient temperature. Please review mounting instruction to avoid any abnormal operation due to coupling/leakage capacitance of inverter high voltage area to any surrounding conductor.

Fig1.High Voltage Code



- Note1-8. Please check your lamp characteristic for minimum operational current and set the limit point in your design to avoid flickering and/or abnormal operation.
- Note1-9. For proper operation of circuit protection (fuse or IC PROTECTOR),Please use minimum of 2.0A capacity for input power supply.
- Note1-10. Impedence from the wire connection can cause a ripple in the input. The product has an internal fuse of 1.0A. Please check that input current peak wave form does not exceed 1.0A.

No.	MATERIALS NAME	QU	MATERIAL	REMARK
PRODUCT NAME or MODEL,TITLE				
DC-AC INVERTER UNIT CXA-P1012B-NJL				
TDK-Lambda	NAME OF DRAWING		DRAWING No.	PAGE
	Product Drawing		CTR-3833-X	4

<The specifications may be changed without any notice.> TSB-08-01-05(00) form-6(A4)

[2] Absolute maximum ratings

Items	Symbols	Specification	Unit	Notes
Input Voltage	Vin	0 ~ 14.4	V	
Load Resistance	Pout	9	W	
Operating Temp. range	Ta	-20 ~ 70	°C	
Storage Temp. range	Ts	-30 ~ 85		
Humidity range	RH	95	%RH	A maximum wet ball temperature is 38°C No dew.

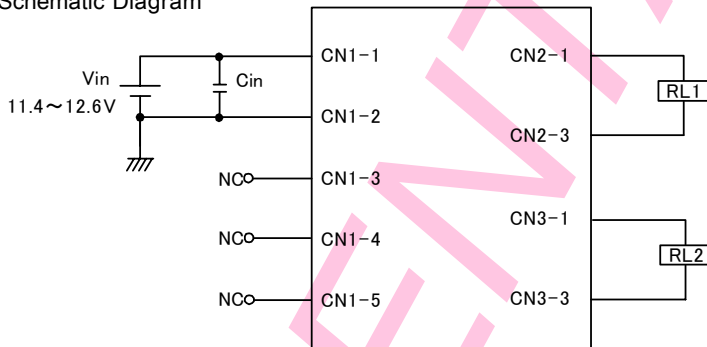
[3] Electrical specifications

Items	Symbols	Specification			Unit			Notes	Notes
		Vin(V)	Ta(°C)	RL1,2(kΩ)	MIN.	TYP.	MAX.		
Output Current	Iout1/ Iout2	12±0.12	18 ~ 28	120	4.5	5	5.5	mArms	
Output Current	Iout1/ Iout2	12±0.6	-20 ~ 70	120	4	5	6		
Input Current	Iin	12±0.6	-20 ~ 70	120	-	0.62	0.9	A	
Frequency	F	12±0.6	-20 ~ 70	120	30	37	44	kHz	
Open Circuit Voltage	Vopen	11.4MIN	-20 ~ 70	∞	1400	1500	-	Vrms	※3-1

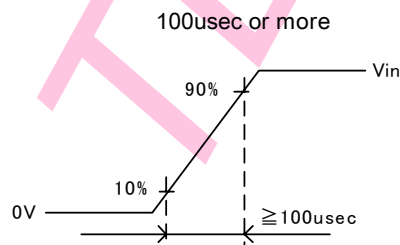
Note3-1. Please shut and measure SW. For SW, please prefer to test circuit diagram [5].

[4] Start up and operating condition

Schematic Diagram



Rise Time



Input Capacitor Cin

As for this product, the capacitor is not inserted in the input. Addition of external capacitors is recommended.

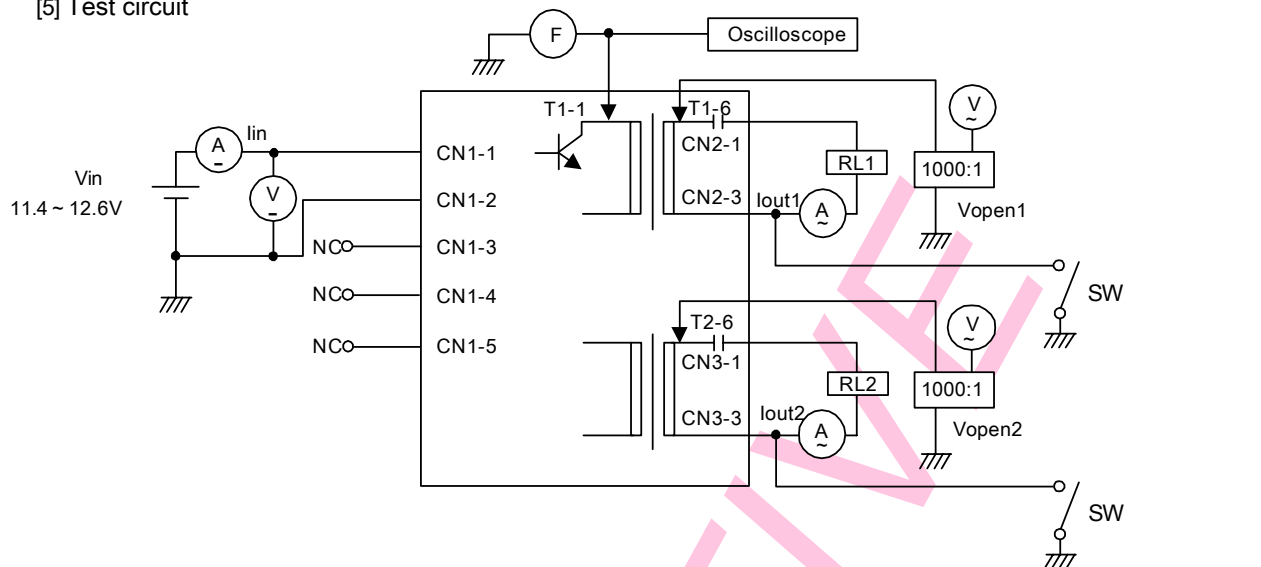
No.	MATERIALS NAME	QU	MATERIAL	REMARK
PRODUCT NAME or MODEL,TITLE				
DC-AC INVERTER UNIT CXA-P1012B-NJL				
NAME OF DRAWING			DRAWING No.	PAGE
Product Drawing			CTR-3833-X	5

TDK-Lambda

<The specifications may be changed without any notice.>

TSB-08-01-05(00) form-6(A4)

[5] Test circuit



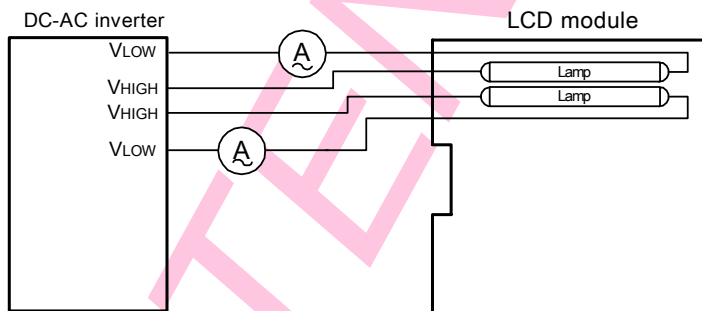
※For the part terminal number position, please refer to Outline [1]

RL1,2:Load resistance(8W or more)

Note5-1.Safety Function

- (V) Digital Multiple Meter(ADVA NTEST R6452A or equivalent)
- (A) DC Current Meter(ADVANTEST R6452A or equivalent)
- (V) True RMS Meter(NF Circuit M2170 or equivalent.)
- (F) Frequency Countor(ADVANTEST R6452A or equivalent)
- (A) High Frequency Current Meter (FLUKE 187 or equivalent)
- 1000:1 High Voltage Probe (Tektronix P6015A or equivalent)

LCD module Connected chart (reference)



Connect the High Frequency Current Meter to the Low-Voltage (VLOW) side.

No.	MATERIALS NAME	QU	MATERIAL	REMARK
PRODUCT NAME or MODEL,TITLE				
DC-AC INVERTER UNIT CXA-P1012B-NJL				
TDK-Lambda	NAME OF DRAWING		DRAWING No.	PAGE
	Product Drawing		CTR-3833-X	6

<The specifications may be changed without any notice.>

TSB-08-01-05(00) form-6(A4)

[6] Reliability test

Following test items are assured.

Items	Conditions	Judgement
Low Temp. Non operational	-40°C 500h	Electrical and apperance should be in the spec.
Low Temp.operational	-10°C 500h Load cond.:TYP	
High Temp. Non operational	85°C 500h	
High Temp.operational	60°C 500h Load cond.:TYP	
Heat shock	-20°C⇔75°C 30min.Each 100 Cycles	
Humidity (Non operational)	40°C 90~95%RH 500h	
Vibration	10~55Hz Amplitude 0.35mm or 49m/s ² Sweep:1分 30min each axis X,Y,Z	
Shock	980m/s ² 6ms Harf-sine pulse 1 time each axis ±X,Y,Z	

No.	MATERIALS NAME	QU	MATERIAL	REMARK
PRODUCT NAME or MODEL,TITLE				
DC-AC INVERTER UNIT CXA-P1012B-NJL				
NAME OF DRAWING		DRAWING No.		PAGE
Product Drawing		CTR-3833-X		7

TDK-Lambda

<The specifications may be changed without any notice.>

TSB-08-01-05(00) form-6(A4)

[7] Packing and Marking

A shipping box is packaged to avoid from water or damage. Following items are printed on the box.

- 6-1. TDK part No. CXA-P1012B-NJL
- 6-2. Manufacture
- 6-3. QTY.

Several layers of Cardboard Sheet
(to fill in space gap)
:380×313×6 D

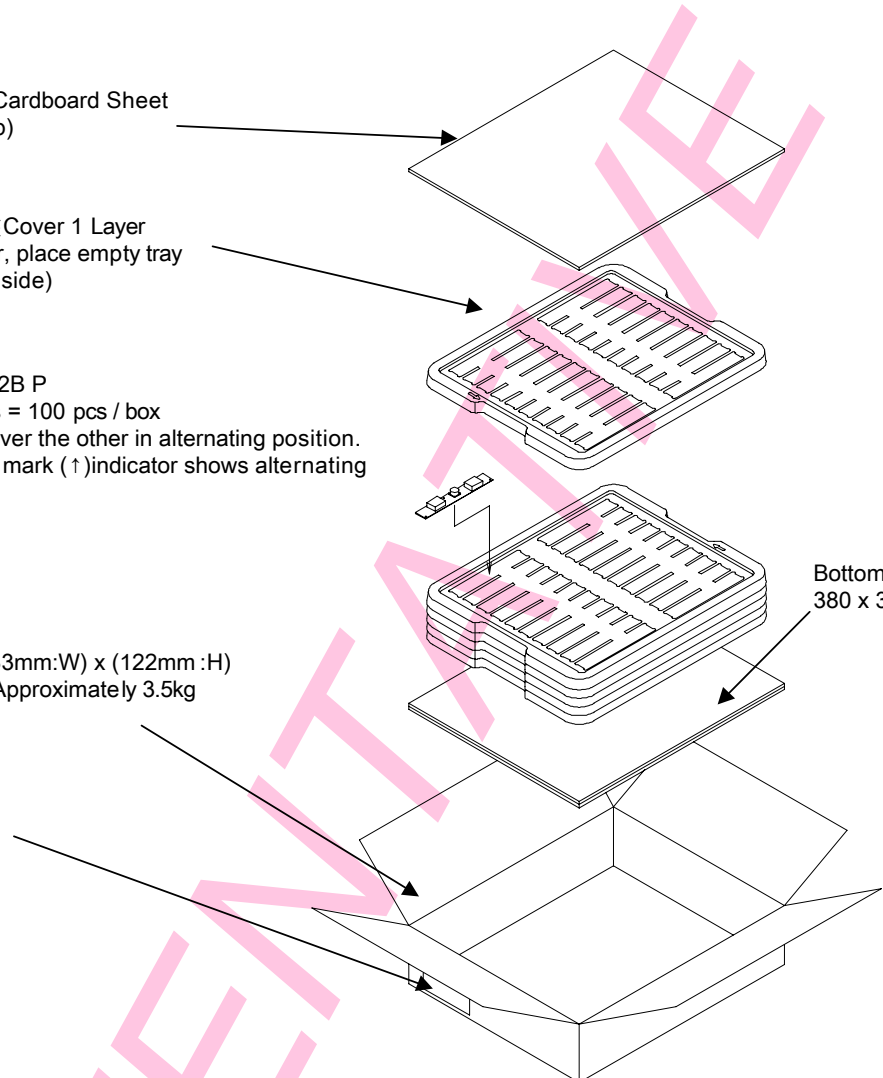
5 Layers Tray + ※Cover 1 Layer
※For the top layer, place empty tray
(without product inside)

Tray (Anti-Static)
:PACK CXA-P1012B P
(20 pcs) x 5 layers = 100 pcs / box
*Place one layer over the other in alternating position.
*Check that arrow mark (↑) indicator shows alternating position.

Outer Carton
384 x 371 x 98
Dimension
(400mm:L) x (333mm:W) x (122mm :H)
Gross Weight : Approximately 3.5kg

Bottom Cardboard Sheet
380 x 313 x 6 D 2pcs.

Product Label
Product Name
Manufacturer
Quantity



[8] Others

- 7-1. Test conditions
Unless otherwise specified, the temperature to be (25±15)°C and humidity to be (65±20) %RH.
- 7-2. Warranty
Warranty shall be for one year after delivery, and those products causing failure during the warranty period and which failures are attributed to the manufacturer's responsibility shall be replaced at no charge.
- 7-3. Others
When any doubt arises about this specification, it shall be discussed and decided upon between both parties.

No.	MATERIALS NAME	QU	MATERIAL	REMARK
PRODUCT NAME or MODEL,TITLE				
DC-AC INVERTER UNIT CXA-P1012B-NJL				
TDK-Lambda	NAME OF DRAWING		DRAWING No.	PAGE
	Product Drawing		CTR-3833-X	8

<The specifications may be changed without any notice.> TSB-08-01-05(00) form-6(A4)