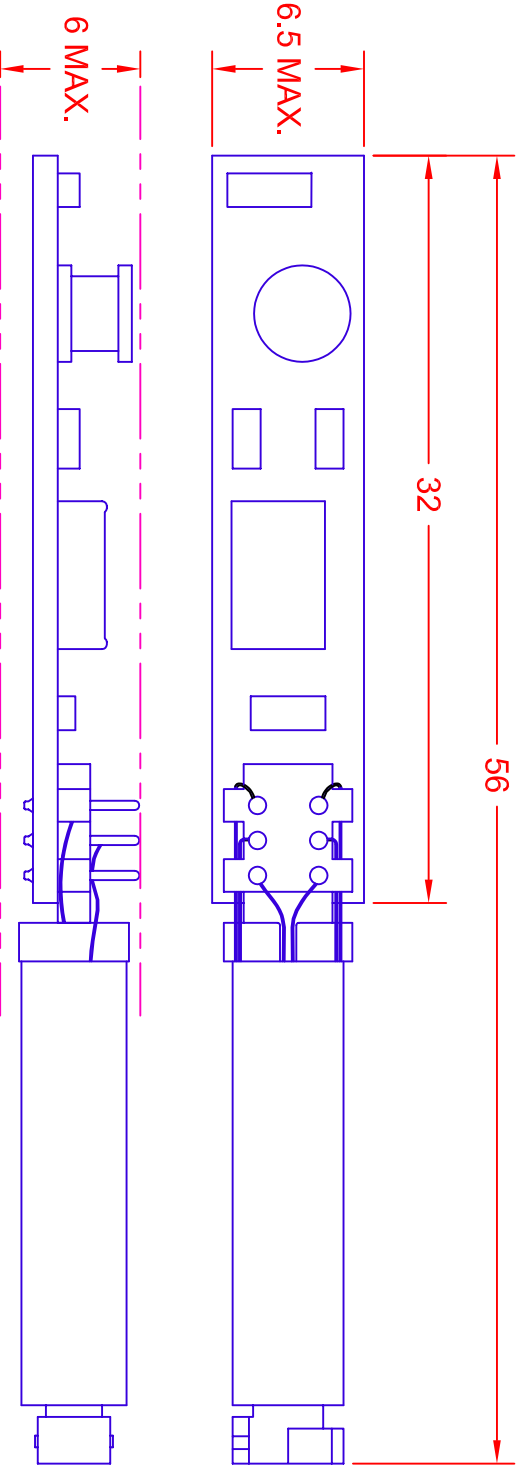
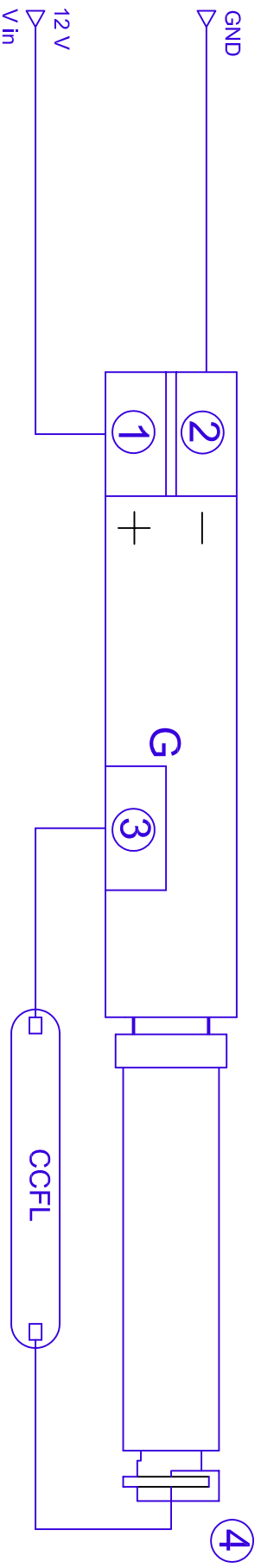


REV.	DESCRIPTION/ECO NO.	DATE
A	RELEASED AS CAD DRW.	7/11/03
B	OPER. SPEC. CORRECTION	9/24/03
	ADD RoHS NOTE	3/16/07

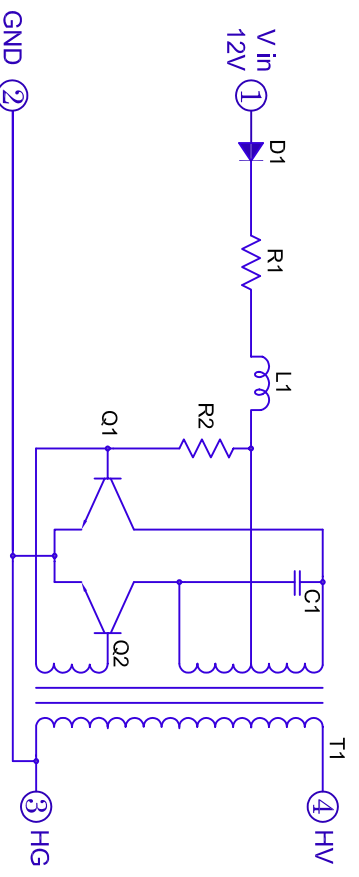


BOARD PIN #	INPUT
1	+V (V in)
2	V (GND)
3	OUT GND
4	V OUT



OPERATING SPECIFICATIONS

CHARACTERISTICS	MIN	TYP	MAX
INPUT VOLTAGE: (Vdc)	10.0	12.0	15.0
INPUT CURRENT: (mA)	130	150	170
OUTPUT VOLTAGE: (Vrms)	700	800	900
OUTPUT CURRENT (mA)	3.0	4.0	5.0
OUTPUT FREQUENCY: (KHz)	85	105	125
OPERATING TEMP: (CELSIUS)	0	25	50



METRIC THIRD ANGLE PROJECTION		DIMENSIONS ARE IN MILLIMETERS TOLERANCE UNLESS OTHERWISE SPECIFIED 1 PL +/- 0.2 2 PL +/- ANGLE +/- 0	
JKL COMPONENTS CORPORATION TITLE 12V CCFL INVERTER		DRAWN BY L. WENGSTROM	DATE 3/16/07
- CAD DRAWING - MANUAL REVISIONS NOT PERMITTED		APP'D BY J.K.	DATE 3/16/07
SCALE NONE	SIZE A	FSCM NO. 55335	DRAWING NO. BXA-12576
RELEASED DATE 7/11/03	REVISION DATE 3/16/07	REV. NO. B	SHEET OF

*JKL PART NO.: BXA-12576
 *RoHS COMPLIANT