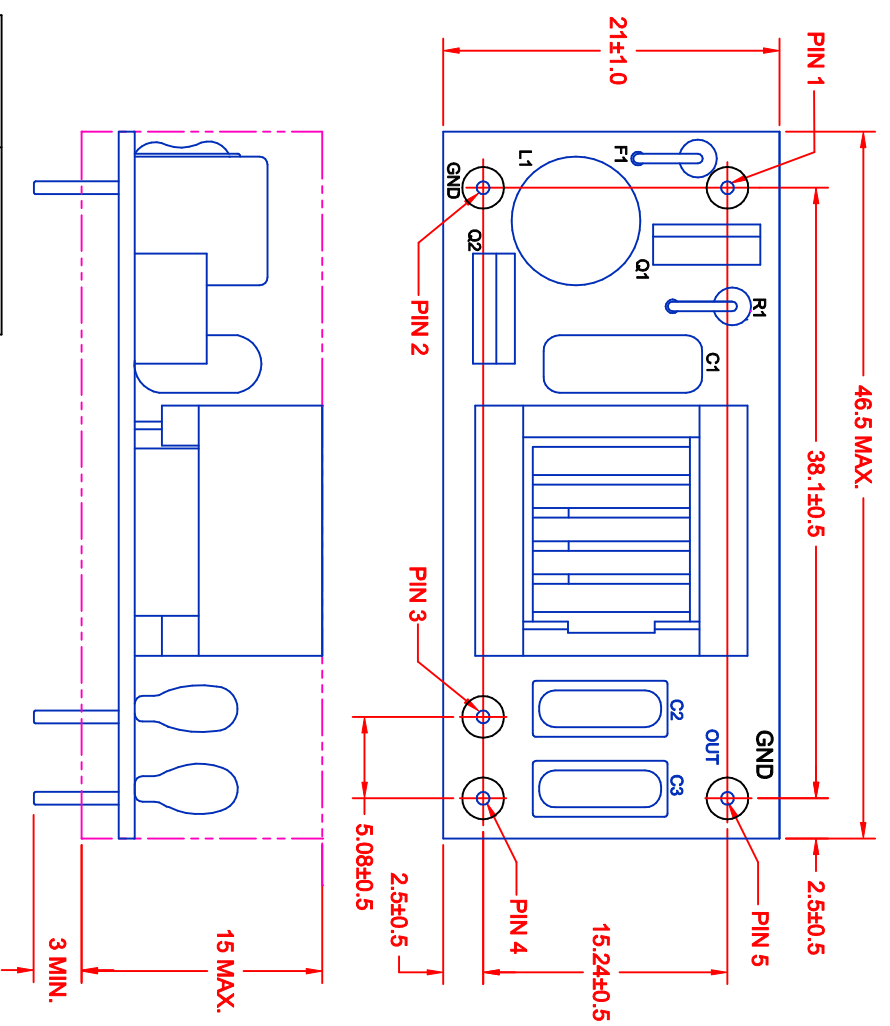


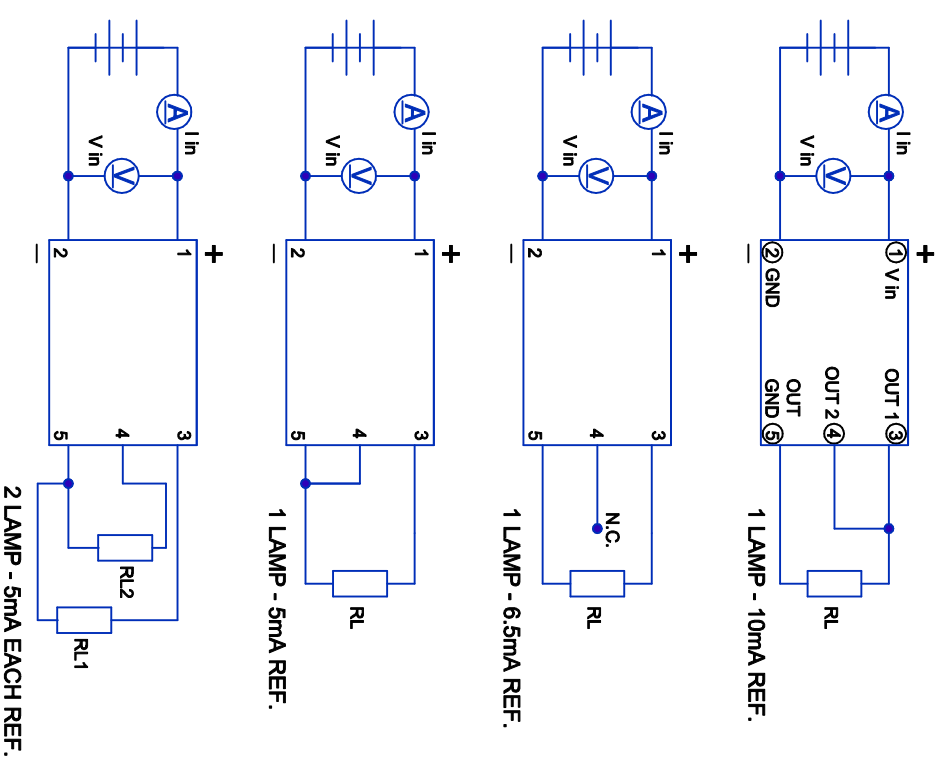
| REV. | DESCRIPTION/ECO NO. | DATE |
|------|---------------------|---------|
| | RELEASED | 3/10/03 |
| A | DIM. CHANGE | 3/27/03 |
| | | |
| | | |
| | | |



CAUTION:
REVERSE POLARITY TO INVERTER
INPUT WILL CAUSE AN OPEN CIRCUIT
IN FUSE F1.

| BOARD PIN # | INPUT |
|-------------|-----------|
| 1 | +V (V In) |
| 2 | V (GND) |
| 3 | OUT 1 |
| 4 | OUT2 |
| 5 | OUT (GND) |

| CHARACTERISTICS | MIN | TYP | MAX |
|---------------------------|------|------|------|
| INPUT VOLTAGE: (Vdc) | 10.8 | 12.0 | 13.2 |
| INPUT CURRENT: (mA) | 220 | 260 | 500 |
| OUTPUT VOLTAGE: (Vrms) | 950 | 1000 | 1050 |
| OUTPUT CURRENT (mA) x 2 | 4.5 | 5.5 | 6.5 |
| OUTPUT FREQUENCY: (KHz) | 25 | 35 | 45 |
| OPERATING TEMP: (CELSIUS) | 0 | 25 | 50 |



JKL COMPONENTS CORPORATION

12 V CCFL POWER SUPPLY

METRIC DIMENSIONS ARE IN MILLIMETERS TOLERANCE UNLESS OTHERWISE SPECIFIED
 1 PL +/- 0.3
 2 PL +/- 0.3
 THIRD ANGLE PROJECTION

DRAWN BY: L. WENGSTROM
 APP'D BY: F.D.
 DATE: 3/27/03

SCALE: A
 SIZE: 55335
 FSQM NO.: BXA-12529
 DRAWING NO.:
 DATE: 3/10/03
 RELEASED: 3/27/03
 REV. NO.: A
 SHEET OF

- CAD DRAWING -
 MANUAL REVISIONS NOT PERMITTED