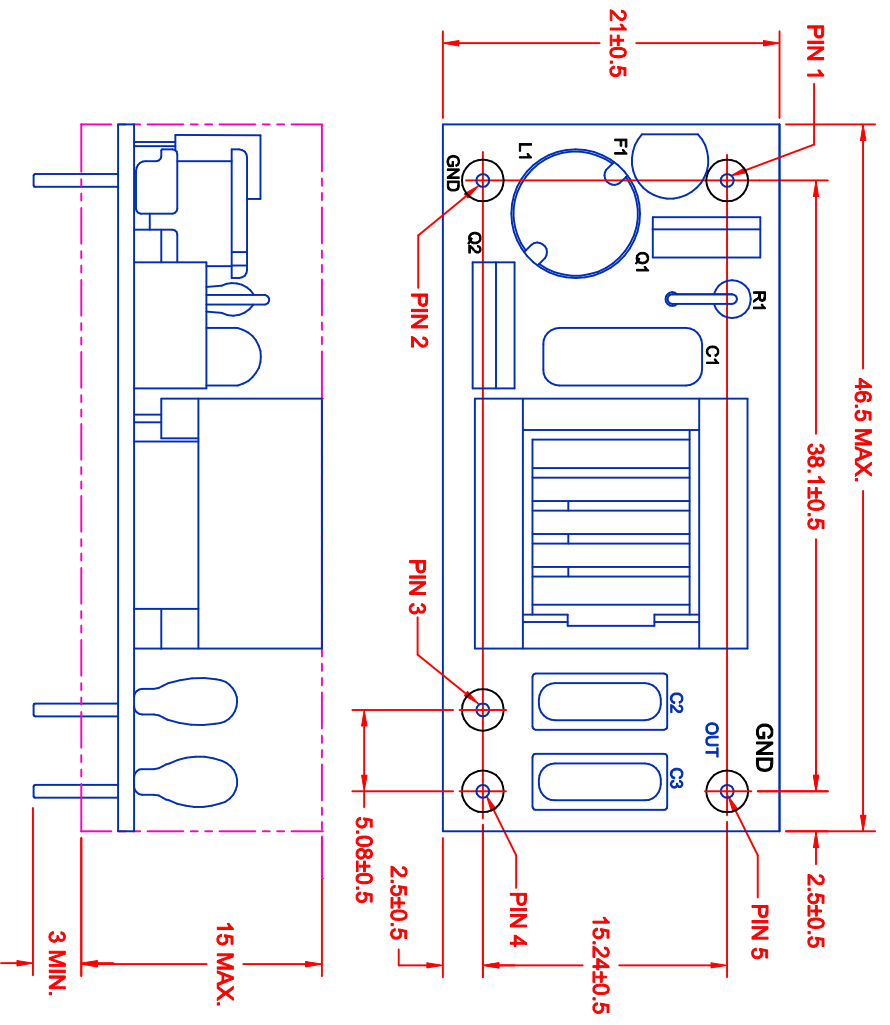


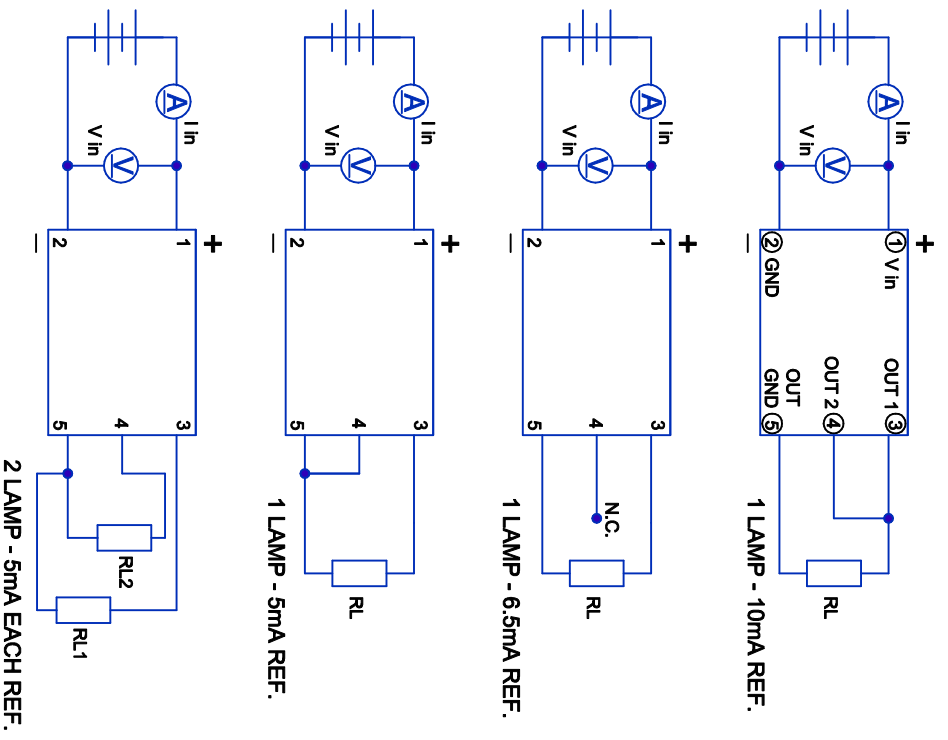
REV.	DESCRIPTION/ECO NO.	DATE
	RELEASED	3/10/03



CAUTION:
REVERSE POLARITY TO INVERTER
INPUT WILL CAUSE AN OPEN CIRCUIT
IN FUSE F1.

BOARD PIN #	INPUT
1	+V (V In)
2	V (GND)
3	OUT 1
4	OUT 2
5	OUT (GND)

CHARACTERISTICS	MIN	TYP	MAX
INPUT VOLTAGE: (Vdc)	21.6	24.0	26.4
INPUT CURRENT: (mA)	80	140	200
OUTPUT VOLTAGE: (Vrms)	900	1000	1100
OUTPUT CURRENT (mA) x 2	4.5	5.5	6.5
OUTPUT FREQUENCY: (KHz)	20	30	45
OPERATING TEMP: (CELSIUS)	0	25	50



METRIC		DIMENSIONS ARE IN MILLIMETERS	TOLERANCE UNLESS OTHERWISE SPECIFIED
THIRD ANGLE PROJECTION		1 PL +/- 0.3	2 PL +/- 0.3
DRAWN BY L. WENGSTROM	DATE 3/10/03	APPR'D BY	F.D.
- CAD DRAWING - MANUAL REVISIONS NOT PERMITTED			
JKL COMPONENTS CORPORATION		TITLE	
24 V CCFL POWER SUPPLY		55335	
FORM NO. 55335	DRAWING NO.	RELEASED DATE 3/10/03	REVISION DATE
SCALE A	SIZE 55335	REV. NO.	SHEET OF