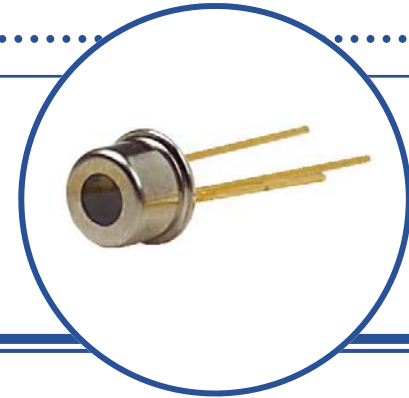


# Fiber Optic Transmitter

## OPF320 Series

### OPF320 Series

- Low Cost 850 nm LED technology
- Hermetic metal can package
- High thermal stability
- High optical coupling efficiency to multimode fiber
- Industrial temperature range
- 35 MHz Bandwidth



The OPF320 series fiber optic transmitters are high performance devices packaged for data communication links. This transmitter is an 850 nm GaAlAs LED and is specifically designed to efficiently launch optical power into fibers ranging in size from 50/125 $\mu\text{m}$  up to 200/300 $\mu\text{m}$  diameter fiber. Multiple power ranges with upper and lower limits are offered which allows the designer to select a device best suited for the application.

This product's combination of features including high speed and efficient coupled power makes it an ideal transmitter for integration into all types of data communications equipment.

### Applications

- ◆ Industrial Ethernet equipment
- ◆ Copper-to-fiber media conversion
- ◆ Intra-system fiber optic links
- ◆ Video surveillance systems

Typical Coupled Power $I_F = 100\text{mA}, 25^\circ\text{C}$					
Fiber Size	Type	N.A.	OPF320A	OPF320B	OPF320C
50/125 $\mu\text{m}$	Graded Index	0.20	19 $\mu\text{W}$	12.5 $\mu\text{W}$	7.5 $\mu\text{W}$
62.5/125 $\mu\text{m}$	Graded Index	0.28	34 $\mu\text{W}$	22 $\mu\text{W}$	16 $\mu\text{W}$
100/140 $\mu\text{m}$	Graded Index	0.29	95 $\mu\text{W}$	62 $\mu\text{W}$	38 $\mu\text{W}$
200/300 $\mu\text{m}$	Step Index	0.41	360 $\mu\text{W}$	235 $\mu\text{W}$	140 $\mu\text{W}$



RoHS

OPTEK reserves the right to make changes at any time in order to improve design and to supply the best product possible.

### Absolute Maximum Ratings

$T_A = 25^\circ\text{C}$  unless otherwise noted

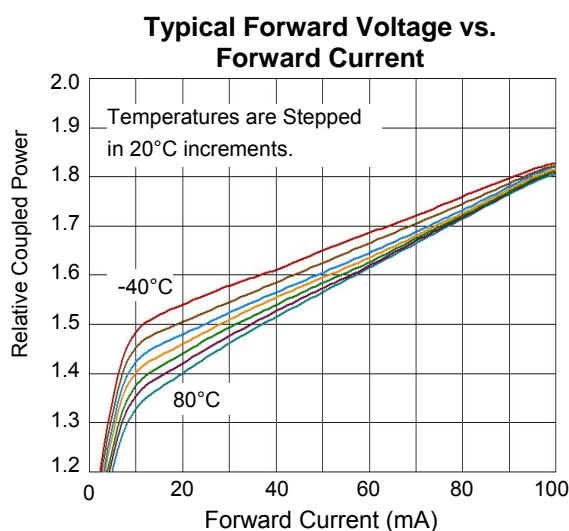
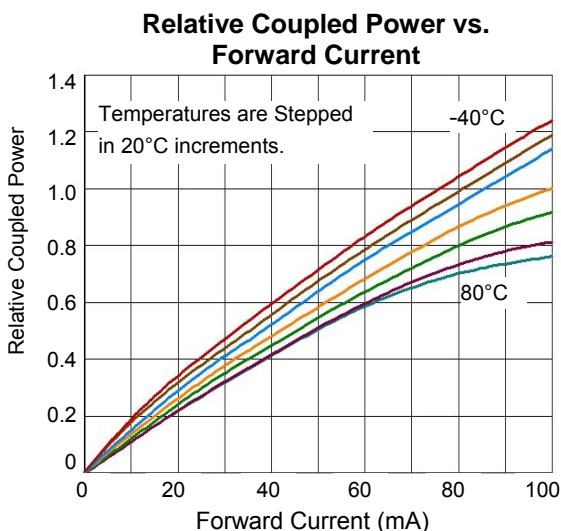
Storage Temperature Range	-55° C to +150° C
Operating Temperature Range	-40° C to +125° C
Lead Soldering Temperature <sup>(1)</sup>	260° C
Continuous Forward Current <sup>(2)</sup>	100 mA
Maximum Reverse Voltage	1.0 V

### Electrical/Optical Characteristics ( $T_A = 25^\circ\text{C}$ unless otherwise noted)

SYMBOL	PARAMETER		MIN	TYP	MAX	UNITS	CONDITIONS
$P_{T50}^{(3)}$	Total Coupled Power	OPF320A	15.0	19.0		$\mu\text{W}$	$I_F = 100\text{ mA}$
		OPF320B	10.0	12.5			
	50/125 mm Fiber NA = 0.20	OPF320C	5.0	7.5			
$V_F$	Forward Voltage			1.8	2.2	V	$I_F = 100\text{ mA}$
$V_R$	Reverse Voltage		1.8			V	$I_R = 100\ \mu\text{A}$
$\lambda$	Wavelength		830	850	870	nm	$I_F = 50\text{ mA}$
$\Delta\lambda$	Optical Bandwidth			35		nm	$I_F = 50\text{ mA}$
$t_r, t_f$	Rise and Fall Time			6.0	10.0	ns	$I_F = 100\text{ mA}; 10\% \text{ to } 90\%^{(4)}$

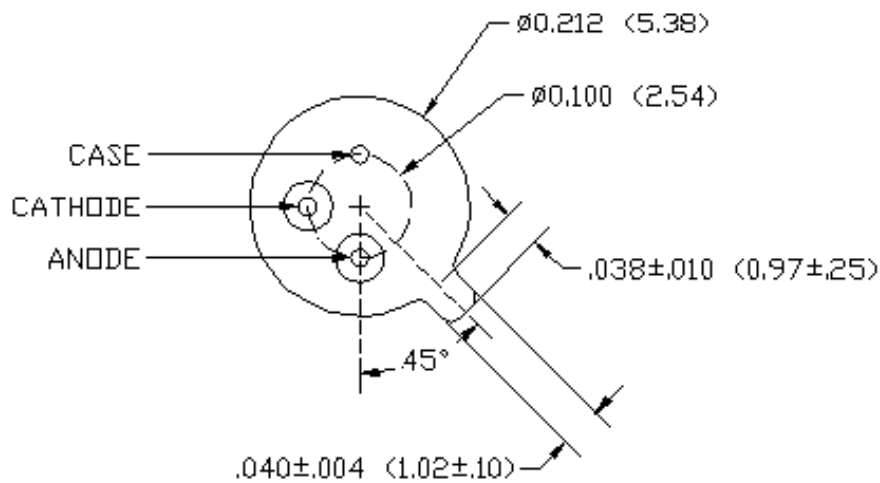
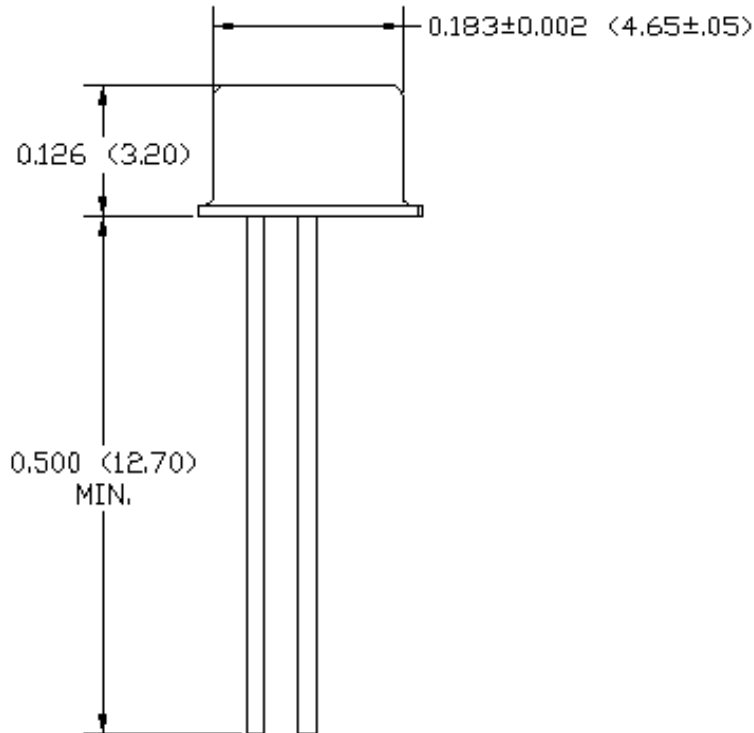
#### Notes:

- Maximum of 5 seconds with soldering iron. Duration can be extended to 10 seconds when flow soldering. RMA flux is recommended.
- De-rate linearly at 1.0mA /°C above 25°C .
- The component must be actively aligned into the mating fiber cable assembly to achieve optimal performance.
- No Pre-bias.
- All Optek fiber optic LED products are subjected to 100% burn-in as part of its quality control process. The burn-in conditions are 96 hours at 100mA drive current and 25°C ambient temperature.



OPTEK reserves the right to make changes at any time in order to improve design and to supply the best product possible.

Mechanical Data



DIMENSIONS ARE IN INCHES (MILLIMETERS)

OPTEK reserves the right to make changes at any time in order to improve design and to supply the best product possible.