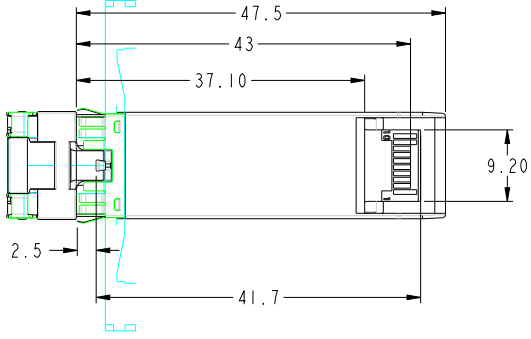
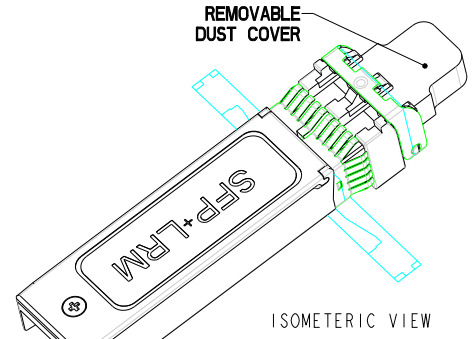
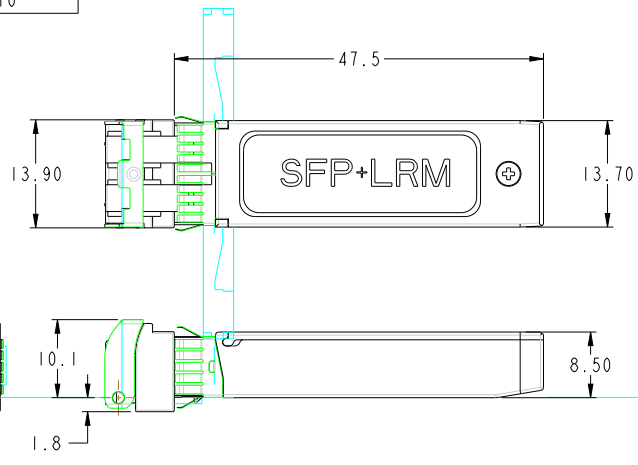


PRODUCT NUMBER
TRX10GDL0610



- NOTES:
1. REFERENCE DATA SHEET TRX10GDL0610 FOR DETAILED TRANSCEIVER SPECIFICATIONS.
 2. TRANSCEIVER ASSEMBLY IS RoHS 6/6 COMPLIANT.
 3. TRANSCEIVER ASSEMBLY IS PACKAGED IN BLISTER PACKAGING.
 4. DIMENSIONS ARE FOR REFERENCE ONLY.
 5. REVISION A IS EQUIVALENT TO MERGE OPTICS REVISION B01.

Copyright FCI

spec ref	-	dr	Deborah Ingram	20110114	projection	MM	size	A3	scale	2:1
tolerance std	-	eng	Deborah Ingram	20110119			ecn no	-	rel level	Released
ASME Y14.5	TOLERANCES UNLESS OTHERWISE SPECIFIED	chr	-	appr						
surface	✓	linear	0.X	±		FCI TITLE SFP+ LRM ASSEMBLY 10Gb 1310nm LRM LINEAR TRANSCEIVER www.fci.com cat. no.	drawing no 10116249	rev A	Product - Customer Drw sheet 1 of 1	
ASME Y14.5	angular	A	±	°						

Prod File - Rev C - 2009-01-09

PDS: Rev :A

STATUS:Released

Printed: Feb 16, 2011