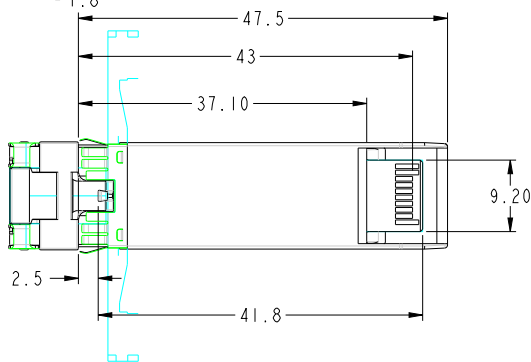
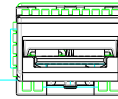
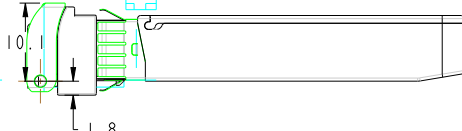
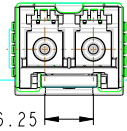
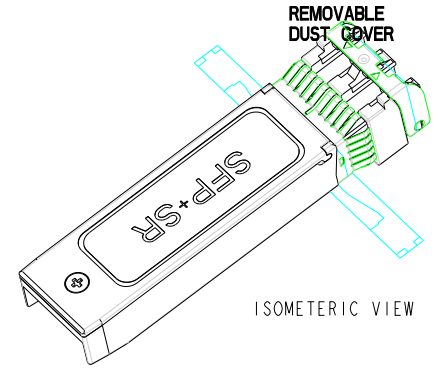
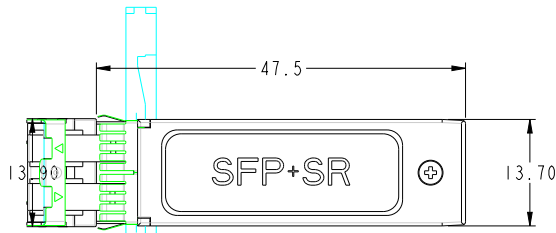


PRODUCT NUMBER  
TRX10GVP2010



NOTES:

1. REFERENCE DATA SHEET TRX10GVP2010 FOR DETAILED TRANSCEIVER SPECIFICATIONS.
2. TRANSCEIVER ASSEMBLY IS RoHS 6/6 COMPLIANT.
3. TRANSCEIVER ASSEMBLY IS PACKAGED IN BLISTER PACKAGING.
4. DIMENSIONS ARE FOR REFERENCE ONLY.
5. REVISION A IS EQUIVALENT TO MERGE OPTICS REVISION BOI

spec ref	-	dr	Deborah Ingram	201101/14	projection	MM	size	A3	scale	2:1
tolerance std	-	eng	Deborah Ingram	201101/13			ecn no	rel level	Released	
ASME Y14.5	TOLERANCES UNLESS OTHERWISE SPECIFIED	chr	-	app						
surface	-	linear	0.X	±-		<b>TITLE</b> SFP+ SR ASSEMBLY 10Gb 850nm LIMITING TRANSCEIVER	<b>DWG NO</b> 10116246	<b>REV</b> A	<b>www.fci.com</b>	cat. no.
ASME Y14.5	angular	0.XX	±-							
		0.XXX	±-							
		angular	±°		Product - Customer Drw		sheet 1 of 1			

Prod File - Rev C - 2009-01-09

1

2

3

4

Copyright FCI