

4

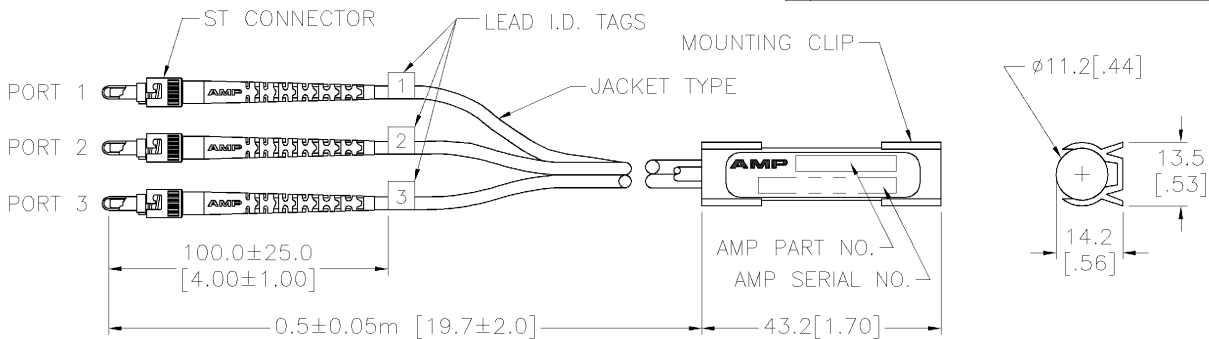
3

2

1

THIS DRAWING IS UNPUBLISHED. RELEASED FOR PUBLICATION
 © COPYRIGHT BY TYCO ELECTRONICS CORPORATION. ALL RIGHTS RESERVED.

LOC	DIST	REVISIONS			
P	LTR	DESCRIPTION	DATE	DWN	APVD
EA	17	REVISE PER ECN 0A10-0222-01	06NOV01	SU	JM



SPECIFICATIONS:

UNCONNECTORIZED *
 INSERTION LOSS

(PER FOTP-34, METHOD A):
 MUX 1.2dB MAX 0.9dB TYP.
 DEMUX 1.3dB MAX 0.9dB TYP.

DIRECTIVITY:
 TYPICAL: >55dB
 MINIMUM: >45dB

WAVELENGTH BANDPASS (nm):
 TYPICAL: 120nm
 MINIMUM: 100nm

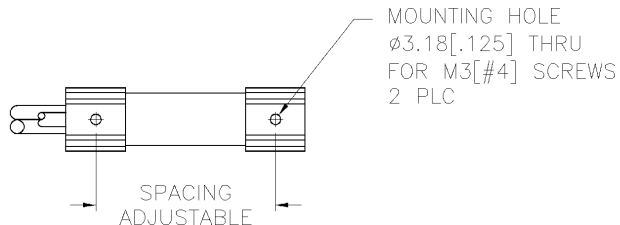
RETURN LOSS (REFLECTANCE):
 MUX - MINIMUM: 35dB
 DEMUX -

PORT 1 ≤ -13dB
 PORT 2 ≤ -15dB
 PORT 3 ≤ -35dB

WITHOUT CONNECTORS

ISOLATION:
 MUX & DEMUX 35dB MIN (TYP. 42dB)
 OPERATING TEMPERATURE: -40°C TO +65°C
 STORAGE TEMPERATURE: -40°C TO +75°C

* FOR ADDITIVE CONNECTOR
 LOSSES REFER TO AMP
 SPECIFICATION 115-56050.



PART NUMBER	FIBER TYPE	JACKET TYPE
99102-2	50/125/250	3mm
99102-3	62.5/125/250	3mm
9-99102-2	50/125/250	900µm
9-99102-3	62.5/125/250	900µm

THIS DRAWING IS A CONTROLLED DOCUMENT.		DWN D. HEINZ 14DEC98	tyco Electronics	Tyco Electronics Corporation Harrisburg, PA 17057	
DIMENSIONS: MM [INCHES]		CHK A. McCLISH 15DEC98		NAME WDM, MUX OR DEMUX 850/1310nm	
TOLERANCES UNLESS OTHERWISE SPECIFIED:		APPD A. McCLISH 15DEC98	PRODUCT SPEC		
0 PLC ± -		APPLICATION SPEC			
1 PLC ± 1.0 [04]		WEIGHT			
2 PLC ± 0.38 [015]		SIZE A3 00779 C-99102			
3 PLC ± -		RESTRICTED TO			
4 PLC ± -		CUSTOMER DRAWING			
ANGLES ± 2°		SCALE NTS SHEET 1 OF 1 REV G			
MATERIAL FINISH					

AMP 1470-19 REV 31MAR2000

20SEP2001 11:25am AMP41983

C:\ENGapps\TECworker\jobs\nsrv038a\15045\cd99102_1.dwg