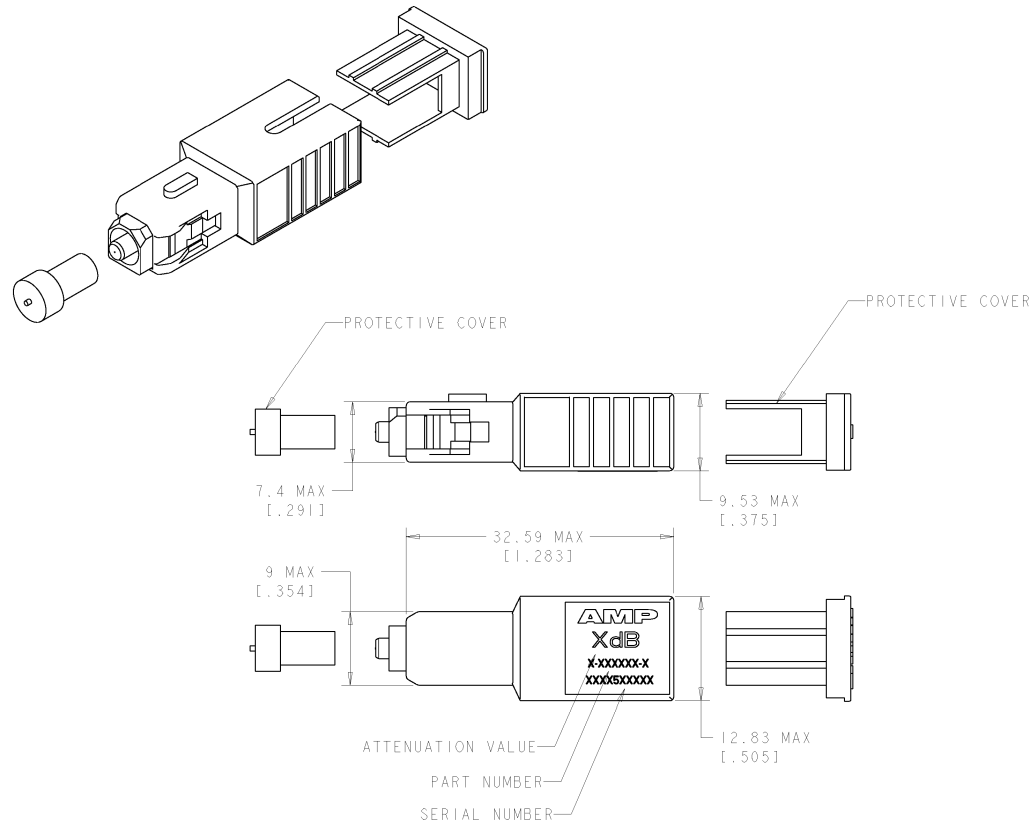


4 3 2 1

THIS DRAWING IS UNPUBLISHED. RELEASED FOR PUBLICATION BY TICO ELECTRONICS CORPORATION. ALL RIGHTS RESERVED.

REV	DATE	DESCRIPTION	DATE	BY	APPD
J	02-15-01	REV PER ECN 0A10-0110-01		JAB	CD
K	28NOV2001	REV PER ECN 0A10-0252-01		JAB	CD



NOMINAL ATTENUATION VALUE (dB)	PART NUMBER
1	209943-1
2	209943-2
3	209943-3
4	209943-4
5	209943-5
6	209943-6
7	209943-7
8	209943-8
9	209943-9
10	1-209943-0
11	1-209943-1
12	1-209943-2
13	1-209943-3
14	1-209943-4
15	1-209943-5
16	1-209943-6
17	1-209943-7
18	1-209943-8
19	1-209943-9
20	2-209943-0
21	2-209943-1
22	2-209943-2
23	2-209943-3
24	2-209943-4
25	2-209943-5
30	3-209943-0

PERFORMANCE REQUIREMENTS:
 OPERATING WAVELENGTH : 1310/1550 ±25nm
 REFLECTANCE : ≤ -55dB
 OPERATING TEMPERATURE : -40C TO +75C
 ATTENUATION TOLERANCE, AMBIENT :
 FOR ATTENUATION ≥ 5dB : ± 10% OF NOMINAL ATTENUATION VALUE
 FOR ATTENUATION < 5dB : ± 0.50dB
 MEASURED WITH REFERENCE QUALITY LAUNCH LEADS

DIMENSIONS: mm (INCHES) 		DIMENSIONS UNLESS OTHERWISE SPECIFIED: ALL DIMENSIONS ARE IN MILLIMETERS UNLESS OTHERWISE SPECIFIED.		DW: D. ERDMAN 7-20-00 CHK: S. MILLER 7-20-00 APPR: S. BUCHNER 7-20-00	AMP Tyco Electronics Harrisburg, PA 17105-3608
MATERIAL: - FINISH: -		APPLICATION SPEC: - WEIGHT: - CUSTOMER DRAWING: -		PART NUMBER: ATTENUATOR, OPTICAL BUILD-OUT SC/UPC SM, DUAL WINDOW SIZE: A2 CASE CODE: 00779 DRAWING NO: C=209943 RESTRICTED TO: - SCALE: 4:1 SHEET 1 OF 1 REV K	

AMP 1471-9 REV 20040200
 PFC/ENGINEER DRAWING