

4

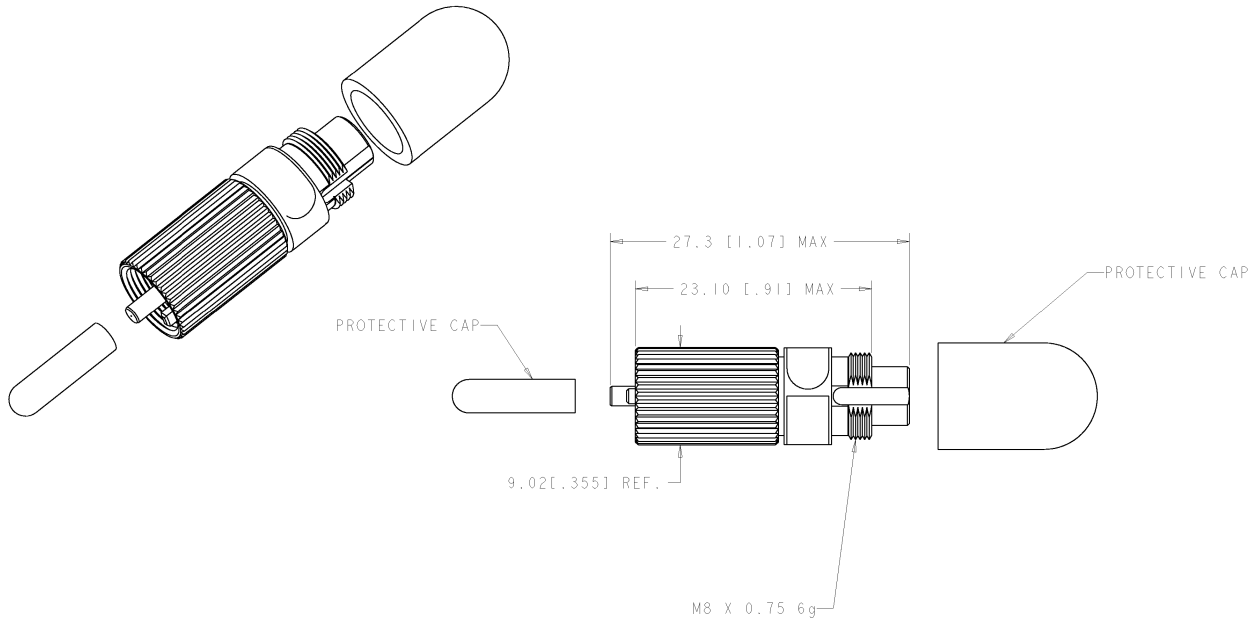
3

2

1

THIS DRAWING IS UNPUBLISHED. RELEASED FOR PUBLICATION BY TICO ELECTRONICS CORPORATION. ALL RIGHTS RESERVED.

REV	DATE	DESCRIPTION	DATE	BY	CHKD
B	ECR-06-029231		2/20/2007	EJH	SB



PERFORMANCE REQUIREMENTS:

OPERATING WAVELENGTH : 1310/1550 ±25nm

REFLECTANCE : ≤ -45dB

OPERATING TEMPERATURE : -40°C TO +75°C

ATTENUATION TOLERANCE, AMBIENT : ±15% OF NOMINAL ATTENUATION VALUE

FOR ATTENUATORS ≥ 5dB : ±0.75dB

FOR ATTENUATORS < 5dB : ±0.75dB

MEASURED WITH REFERENCE QUALITY LAUNCH LEADS

DIMENSIONS: mm (INCHES)		DIMENSIONS: mm (INCHES)		DIMENSIONS: mm (INCHES)		DIMENSIONS: mm (INCHES)		DIMENSIONS: mm (INCHES)															
0	PLC	±	0.10	1	PLC	±	1.0	2	PLC	±	0.38	3	PLC	±	0.38	4	PLC	±	0.38	5	PLC	±	0.38
MATERIAL		FINISH		WEIGHT		CUSTOMER DRAWING		SCALE		SHEET		OF		REV									
-		-		-		-		4:1		1		1		B									